
**LUDLUM MODEL 3-IS AND 3-IS-1
INTRINSICALLY SAFE
SURVEY METER**

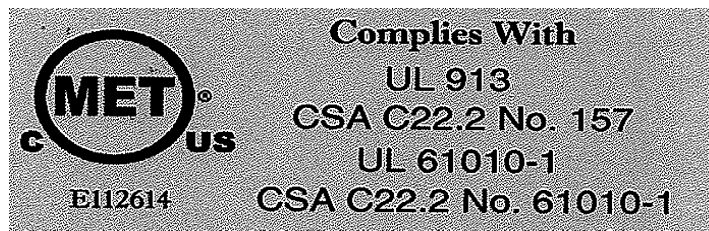
October 2010

**Serial Number 239605 and Succeeding
Serial Number**

LUDLUM MODEL 3-IS AND 3-IS-1 INTRINSICALLY SAFE SURVEY METER

October 2010

Serial Number 239605 and Succeeding
Serial Numbers



NOTE:

Changes to this manual require the written approval of MET Laboratories, Baltimore, Maryland.

⚠ WARNING

Warning – A special cable (Part Number 8303-764 (-xx), where xx represents a length in feet) is supplied with the Model 3-IS. **If replacement is needed, ensure that the same type is used.** This cable is identified by type “C” connectors with locking screws and a light-blue molded-rubber strain relief. Cable lengths are available up to 37 feet.



LUDLUM MEASUREMENTS, INC.
501 OAK STREET, P.O. BOX 810
SWEETWATER, TEXAS 79556
325-235-5494, FAX: 325-235-4672

STATEMENT OF WARRANTY

Ludlum Measurements, Inc. warrants the products covered in this manual to be free of defects due to workmanship, material, and design for a period of twelve months from the date of delivery. The calibration of a product is warranted to be within its specified accuracy limits at the time of shipment. In the event of instrument failure, notify Ludlum Measurements to determine if repair, recalibration, or replacement is required.

This warranty excludes the replacement of photomultiplier tubes, G-M and proportional tubes, and scintillation crystals which are broken due to excessive physical abuse or used for purposes other than intended.

There are no warranties, express or implied, including without limitation any implied warranty of merchantability or fitness, which extend beyond the description of the face there of. If the product does not perform as warranted herein, purchaser's sole remedy shall be repair or replacement, at the option of Ludlum Measurements. In no event will Ludlum Measurements be liable for damages, lost revenue, lost wages, or any other incidental or consequential damages, arising from the purchase, use, or inability to use product.

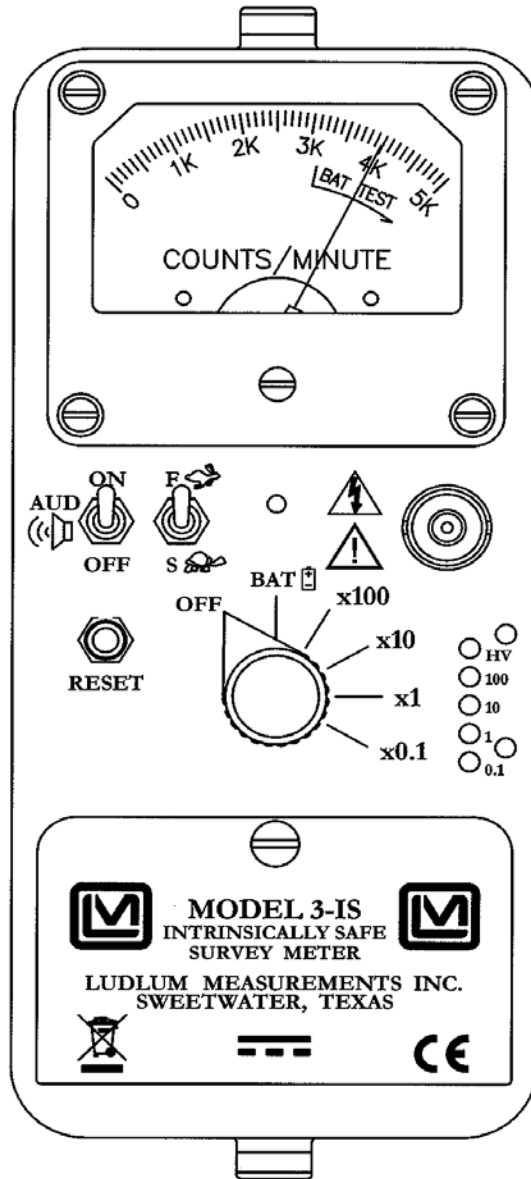
RETURN OF GOODS TO MANUFACTURER

If equipment needs to be returned to Ludlum Measurements, Inc. for repair or calibration, please send to the address below. All shipments should include documentation containing return shipping address, customer name, telephone number, description of service requested, and all other necessary information. Your cooperation will expedite the return of your equipment.

**LUDLUM MEASUREMENTS, INC.
ATTN: REPAIR DEPARTMENT
501 OAK STREET
SWEETWATER, TX 79556**

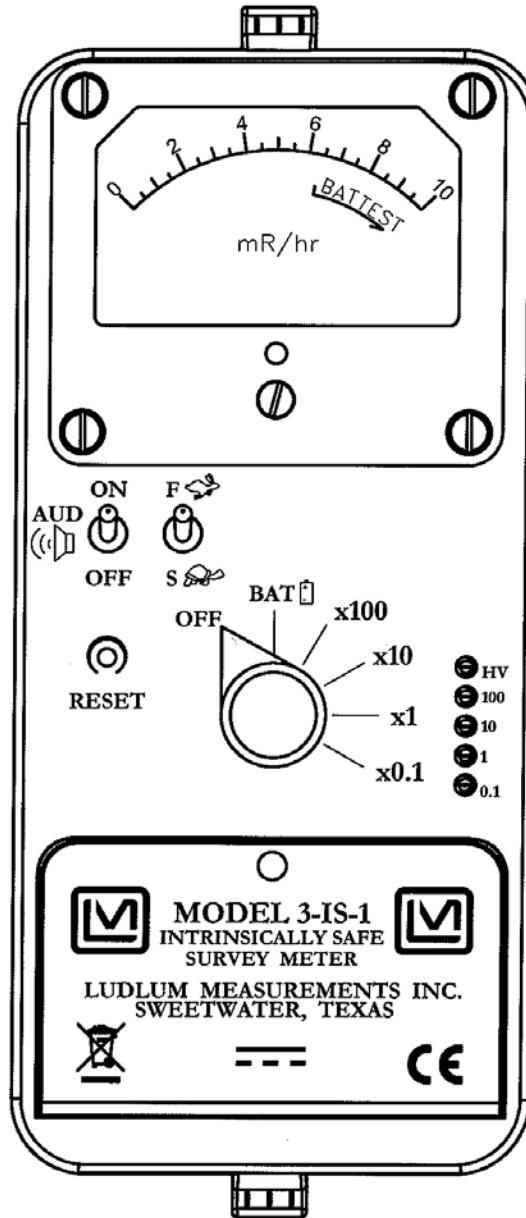
**800-622-0828 325-235-5494
FAX 325-235-4672**

REV #	ALTERATIONS	DATE	BY
1	VALID	9/22/06	CMC
2	ADDED DC SYMBOL	12/7/06	CMC
3	CHANGED ARTWORK TO SILCREENED	1/31/07	CMC



DWG DATE	1/31/07	CHK DATE		APP DATE	1-31-07
DWG NUM	4464-330	SCALE	FULL	OTHER	
TITLE M 3-IS FRONT PANEL					
LUDLUM MEASUREMENTS, INC. 300 ONE STREET SWEETWATER, TEXAS 75086		SERIES	464	SHEET	330

REVISION HISTORY			
REV	DESCRIPTION	DATE	BY
1	VALID	9-22-08	RHS



DWN	DATE	CHK	DATE	APP	DATE
RHS	9-22-08			<i>[Signature]</i>	9/22/08
DWG NUM: 4464-397				SCALE: 1:1	
TITLE: 3-IS-1 CASTING ASSY (FRONT)					
LUDLUM MEASUREMENTS, INC. 501 OAK STREET SWEETWATER, TEXAS 79556			SERIES	SHEET	
			464	397	

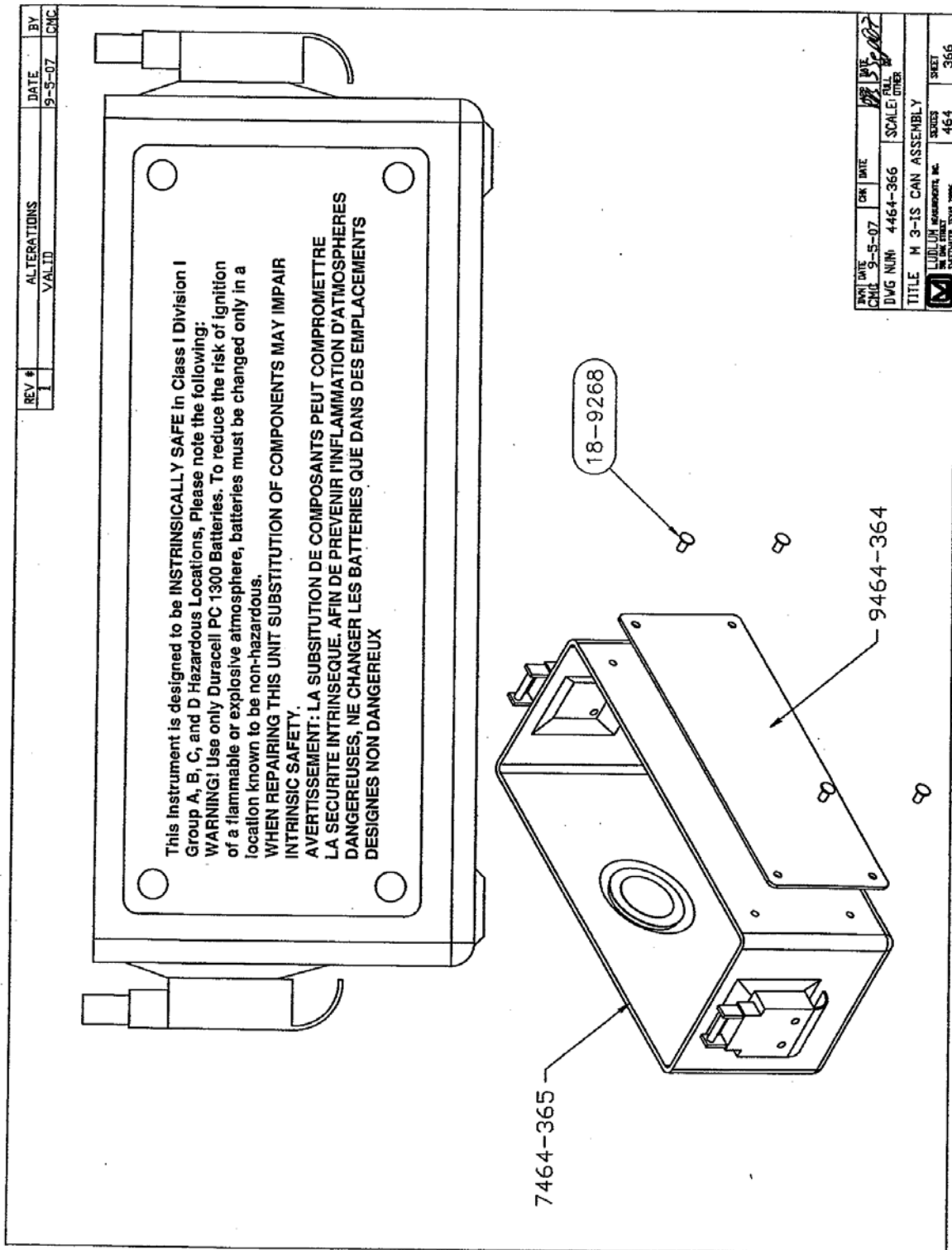


Table of Content

<i>Introduction</i>	<i>1</i>
<i>Getting Started</i>	<i>2</i>
Unpacking and Repacking	2-1
Battery Installation	2-1
Connecting a Detector to the Instrument	2-2
Battery Test	2-2
Instrument Test	2-3
Reading the Meter Face Dial	2-3
Operational Check	2-6
<i>Specifications</i>	<i>3</i>
<i>Identification of Controls and Functions</i>	<i>4</i>
<i>Safety Considerations</i>	<i>5</i>
Environmental Conditions for Normal Use	5-1
Connecting a Detector to the Instrument	5-1
Warning Markings and Symbols	5-2
Cleaning and Maintenance Precautions	5-3
<i>Calibration and Maintenance</i>	<i>6</i>
Calibration	6-1
Exposure Rate Calibration	6-2
CPM Calibration	6-2
Establishing an Operating Point	6-3
Maintenance	6-5
Recalibration	6-5
Batteries	6-5

<i>Troubleshooting</i>	<i>7</i>
Troubleshooting Electronics which utilize a G-M Detector or Scintillator	7-1
Troubleshooting G-M Detectors	7-3
Troubleshooting Scintillators	7-4
<i>Technical Theory of Operation</i>	<i>8</i>
Low Voltage Supply	8-1
High Voltage Supply	8-1
Detector Input	8-1
Amplifier	8-1
Discriminator	8-2
Audio	8-2
Scale Ranging	8-2
Meter Drive	8-2
Meter Reset	8-2
Fast/Slow Time Constant	8-2
<i>Recycling</i>	<i>9</i>
<i>Parts List</i>	<i>10</i>
Model 3-IS Survey Meter	10-1
Main Board, Drawing 464 × 355	10-1
Safety Board, Drawing 464 × 361	10-3
Wiring Diagram, Drawing 464 × 358	10-4
<i>Drawings and Diagrams</i>	<i>11</i>

Section

1

Introduction

The Model 3-IS and 3-IS-1 are portable intrinsically safe radiation survey instruments that are designed to be intrinsically safe in Class 1 Division 1, Group A, B, C, and D hazardous conditions. They have four linear ranges used in combination with exposure rate, count rate (cpm- counts per minute) or a combination of both exposure rate and count rate (referred to as “combo”) meter face dials. The instruments feature a regulated high-voltage power supply, unimorph speaker with audio ON-OFF capability, fast-slow meter response, meter reset button and a six-position switch for selecting battery check or scale multiples of $\times 0.1$, $\times 1$, $\times 10$ and $\times 100$. Each range multiplier has its own calibration potentiometer. The unit body and meter housing are made of cast aluminum and the can is 0.090” thick aluminum.

The audio provides a brief “click” for every radiation event detected. It also provides a steady tone to warn the user of a low battery condition. This low battery warning overrides the position of the AUD ON-OFF switch.

There are three Geiger-Mueller (GM) detectors which are qualified for use with the Model 3-IS. Additionally, two types of scintillation detector may be used. The qualified GM detectors operate at 900 volts. Operating voltage for the scintillation detectors is determined by using the plateau method outlined on page 6-4, or by using a detector-specific procedure.

The Model 3-IS-1 features an internal energy-compensated GM detector, and thus has no connector or cable for external detectors. This internal detector provides for easy, one-handed operation and provides measurement of gamma radiation up to 1000 mR/hr (1 R/hr).

The unit is operated with two “D” cell batteries (Duracell Procell PC1300 1.5V Alkaline).

Section

2

Getting Started

Important:

This instrument is designed to be **INTRINSICALLY SAFE** in Class I Division I Group A, B, C, and D Hazardous locations.

Warning:

Use only Duracell Procell PC1300 1.5V type “D” batteries. To reduce the risk of ignition of a flammable or explosive atmosphere, batteries must be changed only in a location known to be a non-hazardous area.

Warning:

When repairing this unit substitution of components may impair **INTRINSIC SAFETY**.

Avertissement:

La substitution de composants peut compromettre la **SECURITE INTRINSEQUE**. Afin de prevenir l'Inflammation D'Atmospheres dangereuses, ne changer les batteries que dans des emplacements designes non dangereux.

Unpacking and Repacking

Remove the calibration certificate and place it in a secure location. Remove the instrument and accessories (batteries, cable, etc.) and ensure that all of the items listed on the packing list are in the carton. Check individual item serial numbers and ensure calibration certificates match. The Model 3-IS serial number is located on the front panel below the battery compartment. Most Ludlum Measurements, Inc. detectors have a label on the base or body of the detector for model and serial number identification.

Important!

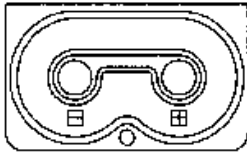
If multiple shipments are received, ensure that the detectors and instruments are not interchanged. Each instrument is calibrated to specific detector(s), and therefore not interchangeable.

To return an instrument for repair or calibration, provide sufficient packing material to prevent damage during shipment. Also provide appropriate warning labels to ensure careful handling. Include detector(s) and related cable(s) for calibration. Include brief information as to the reason for return, as well as return shipping instructions:

- **Return shipping address**
- **Customer name or contact**
- **Telephone number**
- **Description of service requested and all other necessary information**

Battery Installation

Ensure the Model 3-IS range selector switch is in the OFF position. Open the battery lid by pushing down and turning the quarter-turn thumbscrew counterclockwise $\frac{1}{4}$ turn. Install two "D" size batteries (Duracell Procell PC1300 1.5V alkaline) in the compartment.



Note the (+) and (-) marks inside the battery door. Match the battery polarity to these marks. Close the battery box lid, push down and turn the quarter-turn thumb screw clockwise $\frac{1}{4}$ turn.

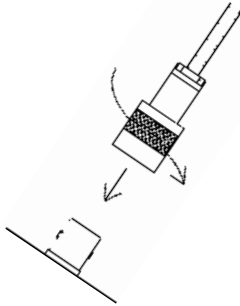
Note:

The center post of a “D” size battery is positive.

Connecting a Detector to the Instrument (Model 3-IS only)

Caution!

The detector operating voltage (HV) is supplied to the detector via the detector input connector. A mild electric shock may occur if you make contact with the center pin of the input connector. Switch the Model 3-IS range selector switch to the OFF position before connecting or disconnecting the cable or detector.



WARNING

Warning – A special cable (Part Number 8303-764 (-xx), where xx represents a length in feet) is supplied with the Model 3-IS. **If replacement is needed, ensure that the same type is used.** This cable is identified by type “C” connectors with locking screws and a light-blue molded-rubber strain relief. Cable part number is 8303-764(-xx), where “xx” represents a length in feet. Cable lengths are available up to 37 feet.

Connect one end of the supplied detector cable to the detector by firmly pushing the connectors together while twisting clockwise $\frac{1}{4}$ turn. Secure the lock screws with an Allen wrench. Repeat the process in the same manner with the other end of the cable and the instrument.

Battery Test

Check the batteries daily or prior to use, whichever is less frequent, to assure proper operation of the instrument. Move the range switch to the BAT position. Ensure that the meter needle deflects to the battery check

portion on the meter scale. If the meter does not respond, check to see if the batteries have been correctly installed. Replace the batteries if necessary.

Instrument Test

After checking the batteries, turn the instrument range switch to the X100 position. Place the AUD ON-OFF switch in the ON position. Expose the detector to a check source. The instrument speaker should emit “clicks” relative to the rate of counts detected. The “AUD ON/OFF” switch will silence the audible clicks if in the OFF position. It is recommended that the “AUD ON/OFF” switch be kept in the OFF position when not needed in order to preserve battery life.

Rotate the range switch through the lower scales until a meter reading is indicated. While observing the meter fluctuations, select between the fast and slow response time (“F/S”) positions to observe variations in the display. The “S” position should respond approximately 5 times slower than the “F” position.

The detector cable (on the Model 3-IS only) can be a source of problems. Test the detector cable by bending or flexing either end of the cable and checking for an increase in the rate of counts detected. Replace the cable if increases in the rate of counts are detected.

Check the meter reset function by depressing the “RES” pushbutton switch and ensuring the meter needle drops to “0”.

Once this procedure has been completed, the instrument is ready for use.

Reading the Meter Face Dial

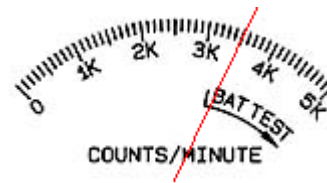
Reading the meter face is very important for consistent measurements. There are, in general, three types of meter faces: 1) count rate (typically cpm – counts per minute) 2) exposure rate (typically mR/hr) and 3) “combo” (typically cpm and mR/hr.) The following examples are intended to help the user interpret the correct reading.

The normal procedure is to turn the range selector switch to the highest range and if no readings are seen on the meter, turn the selector switch down to the lower scales until a reading is seen. The ranges on the instrument selector switch are multipliers for the meter reading. A typical single scale (one arc) meter face with a cpm (counts per minute) dial is shown on the next page.

The count rate scale reads 0-5K COUNTS/MINUTE (kcpm or 1000's of counts per minute) and has BAT TEST on the dial.



If the needle is pointing as indicated below and the instrument range selection switch is on the $\times 0.1$ scale multiple, then the reading is 3.5 kcpm (multiplied by) $\times 0.1 = 350$ cpm.



The same needle indications on successive ranges would be:

$$\times 1 = 3.5 \text{ kcpm (or 3,500 cpm)}$$

$$\times 10 = 35 \text{ kcpm (or 35,000 cpm)}$$

$$\times 100 = 350 \text{ kcpm (or 350,000 cpm)}$$

A typical dual scale (two arcs) meter face is shown below. The top scale reads 0-2 mR/hr. The bottom scale also reads 0-2 mR/hr and is for $\times 100$ only scale. The $\times 100$ ONLY scale will work correctly when the multiplier switch is in the $\times 100$ range. The meter face also has a BAT TEST position on the dial.



If the needle is pointing as indicated below and the range selection switch is on the $\times 0.1$ scale, then the reading is 0.1mR/hr.



The same needle indications on successive ranges would be:

$$\times 1 = 1.0 \text{ mR/hr (or 1,000 } \mu\text{R/hr)}$$

$$\times 10 = 10 \text{ mR/hr (or 10,000 } \mu\text{R/hr)}$$

$$\times 100 = 70 \text{ mR/hr (or 70,000 } \mu\text{R/hr)}$$

The dial shown below has three arcs: a counts per minute scale (cpm), a linear mR/hr scale, and a non-linear mR/hr scale for the $\times 100$ range only. The meter face also has a BAT TEST position.



The top cpm scale is valid for the $\times 0.1$, $\times 1$, $\times 10$ and the $\times 100$ ranges. The linear (middle) mR/hr scale is valid for the $\times 0.1$, $\times 1$, and the $\times 10$ ranges. The non-linear mR/hr scale is commonly referred to as a “combo” meter face, since it has both, count rate (cpm) and exposure rate (mR/hr) arcs. Simpler meter faces may only have a count rate or an exposure rate arc(s) like the previous meter faces shown.

A “combo” meter face is specifically designed for a particular detector. In the example above, the 1.0 mR/hr mark on the middle arc lines up with 3.3kcpm on the upper arc. The meter face in this example works with a detector that receives 3.3kcpm per mR/hr (the Ludlum Model 44-9 pancake detector.) Additional detectors may be used with this meter face, but only the cpm dial is valid for these detectors. The mR/hr scale is not valid for these additional detectors.

In the following picture, the needle is on the first tick mark past the 4kcpm mark. Therefore, if the instrument selector switch is on the $\times 0.1$ range, the reading is 4.2kcpm (multiplied by) $\times 0.1 = 420\text{cpm}$.



The same needle indication on successive ranges would be:

$$\times 1 = 4.2\text{kcpm (or 4,200 cpm)}$$

$$\times 10 = 42\text{kcpm (or 42,000 cpm)}$$

$$\times 100 = 420\text{kcpm (or 420,000 cpm)}$$

If you use the mR/hr scales, then the readings would be:

$$\times 0.1 = 0.13 \text{ mR/hr}$$

$$\times 1 = 1.3 \text{ mR/hr}$$

$$\times 10 = 13 \text{ mR/hr}$$

$$\times 100 = 180 \text{ mR/hr}^*$$

Note:

*This reading is using the bottom (non-linear) scale.

Many different dials are available, but each can be used as described above.

Operational Check

To assure operation of the instrument and detector(s) between calibrations, an instrument operational check including battery test and instrument test (as described above) should be performed at least daily or prior to use, whichever is less frequent. A reference reading (or readings) with a check source should be obtained with the detector(s) in a constant and reproducible manner at the time of calibration or at the time the instrument is received in the field.

If at any time the instrument fails to read within 20% of the reference reading when using the same check source, it should be sent to a calibration facility for recalibration and/or repair. If desired, multiple readings may be taken at different distances and/or with different sources so that other ranges or scales are checked.

Section

3

Specifications

Power: two "D" cell **batteries** (Duracell Procell PC1300 1.5V alkaline) housed in a sealed externally accessible compartment.

Battery Life: typically greater than 2000 hours with the AUD ON-OFF switch in the OFF position.

End-of-Battery Life Warning: At 2.1 Vdc the meter needle will drop to the edge of the BAT TEST or BAT OK area when the meter selector switch is moved to the BAT position. At 2.0 Vdc a steady audible tone will be emitted to warn the user of the low battery condition.

High Voltage: adjustable from 400 to 1100 volts.

Threshold: fixed at 40 mV \pm 10 mV.

Meter: 6.4 cm (2.5 inch) arc, 1 mA analog type.

Meter Face: Typically 0-2 mR/hr, or 0-5k cpm + BAT TEST (others available). (Model 3IS-1 is 0-10 mR/hr. BAT TEST)

Range: typically 0-200 mR/hr, or 0-500,000 counts/minute (cpm). (M3IS-1 is 0.1 mR/hr to 1.0 R/hr)

Linearity: reading within 10% of true value with detector connected.

Battery Dependence: less than 3% change in readings to battery failure indication.

Audio: built-in unimorph speaker with ON-OFF switch (greater than 60 dB at 2 feet).

Response Time: toggle switch for fast (4 seconds) or slow (22 seconds) from 10% to 90% of the final reading.

Connector (Model 3-IS only): series "C"

Size: 16.5 x 8.9 x 21.6 cm (6.5 x 3.5 x 8.5 inch) (H x W x L)

Weight: 1.6 kg (3.5 lb) including batteries.

Construction: cast and drawn aluminum with beige powder-coat

Environmental Rating: NEMA 3R –constructed for either indoor or outdoor use to provide a degree of protection against falling dirt, rain, sleet, and snow.

Cable (Model 3-IS only): a special 39 inch coaxial cable with set-screw-locking “C” connector and light blue molded rubber strain relief is provided with each instrument.

⚠ WARNING

Warning (Model 3-IS only): A special cable is supplied (Part Number 8303-764(-xx), where “xx” represents a length in feet)with the Model 3-IS. **If replacement is needed, ensure that the same type is used.** This cable is identified by type “C” connectors with locking screws and a light-blue molded-rubber strain relief. Cable lengths are available up to 37 feet.

Section

4

Identification of Controls and Functions

See the Model 3-IS FRONT PANEL drawing at the beginning of this manual to reference the following controls:

Meter: 2.5" (6.4cm) arc, 1 mA analog type with pivot-and-jewel suspension. Typical meter dials are 0-2 mR/hr, 0-20 μ Sv/h, 0-5k cpm or combination of exposure rates (0-2 mR/hr or 0-20 μ Sv/h) and cpm and BAT TEST.

Connector: (Model 3-IS only) Series "C", used to connect the detector to the instrument.

Range Selector Switch: A six-position switch marked OFF, BAT, $\times 100$, $\times 10$, $\times 1$, and $\times 0.1$. Turning the range selector switch from OFF to BAT provides the operator with a battery check of the instrument. A BAT check scale on the meter provides a visual means of checking the battery-charge status. Moving the range selector switch to one of the range multiplier positions ($\times 100$, $\times 10$, $\times 1$, and $\times 0.1$) provides the operator with an overall range of 0 to 500,000 cpm. Multiply the scale reading by the multiplier to determine the actual scale reading.

Calibration Controls: Recessed potentiometers which are used to calibrate the individual range selections and allow for high voltage adjustment from 400 to 1100 volts. A protective cover is provided to prevent tampering.

Battery Compartment: Sealed compartment to house two "D" cell batteries.

RESET Button: When depressed, this switch provides a rapid means to drive the meter to zero.

AUD ON-OFF Switch: In the ON position, operates the unimorph speaker, located on the left side of the instrument. The frequency of the clicks is relative to the rate of the incoming pulses. The higher the rate,

the higher the audio frequency. The audio should be turned OFF when not required to reduce battery drain.

Note:

A low battery condition results in a steady audio tone regardless of the position of the AUD ON/OFF switch.

F-S Toggle Switch: Provides meter response. Selecting the fast, "F" position of the toggle switch provides 90% of full scale meter deflection in four seconds. In the slow, "S" position, 90% of full scale meter deflection takes 22 seconds. In "F" position there is fast response and large meter deviation. The "S" position should be used for slow response and damped, meter deviation.

Note:

The slow response position is normally used when the instrument is displaying low numbers that require a more stable meter movement. The fast response is used at high rate levels.

Section

5

Safety Considerations

Environmental Conditions for Normal Use

Indoor or outdoor use

No maximum altitude (the detector may be affected by altitude, refer to the detector manual for more information.)

Temperature range of -20 to 50 °C (-4 to 122 °F)

Maximum relative humidity of less than 95% (non-condensing)

Pollution Degree 3 (as defined by IEC 664).

Connecting a Detector to the Instrument

Caution!

The detector operating voltage (HV) is supplied to the detector via the detector input connector. A mild electric shock may occur if you make contact with the center pin of the input connector. Switch the Model 3-IS range selector switch to the OFF position and wait for 60 seconds before connecting or disconnecting the cable or detector.

Warning!

A special 39 inch cable is supplied with the Model 3-IS. If replacement is needed, ensure the same type is used. This cable is identified by type "C" connectors with locking screws and light-blue molded-rubber strain relief.

Warning Markings and Symbols

Caution!

The operator or responsible body is cautioned that the protection provided by the equipment may be impaired if the equipment is used in a manner not specified by Ludlum Measurements, Inc.

The Model 3-IS Survey Meter is marked with the following symbols:



CAUTION, RISK OF ELECTRIC SHOCK (per ISO 3864, No. B.3.6) – designates a terminal (connector) that allows connection to a voltage exceeding 1 kV. Contact with the subject connector while the instrument is on or shortly after turning off may result in electric shock. This symbol appears on the front panel.



CAUTION (per ISO 3864, No. B.3.1) – designates hazardous live voltage and risk of electric shock. During normal use, internal components are hazardous live. This instrument must be isolated or disconnected from the hazardous live voltage before accessing the internal components. This symbol appears on the front panel. **Note the following precautions:**

Warning!

The operator is strongly cautioned to take the following precautions to avoid contact with internal hazardous live parts that are accessible using a tool:

1. Turn the instrument power OFF and remove the batteries.
2. Allow the instrument to sit for 1 minute before accessing internal components.



The “**crossed-out wheeled bin**” symbol notifies the consumer that the product is not to be mixed with unsorted municipal waste when discarding; each material must be separated. The symbol is placed on the battery compartment lid. See section 9, “Recycling” for further information.

Cleaning and Maintenance Precautions

The Model 3-IS may be cleaned externally with a damp cloth, using only water as the wetting agent. Do not immerse the instrument in any liquid. Observe the following precautions when cleaning or performing maintenance on the instrument:

1. Turn the instrument OFF and remove the batteries.
2. Allow the instrument to sit for 1 minute before cleaning the exterior or accessing any internal components for maintenance.

Section

6

Calibration and Maintenance

Calibration

Calibration controls are located on the front of the instrument under the calibration cover. The controls may be adjusted with a 1/8-inch blade screwdriver.

Note:

Local procedures may supersede the following

The instrument may be calibrated using exposure rate calibration or cpm calibration, (both methods are described below.) Unless otherwise specified, the instrument is calibrated to exposure rate at the factory.

Note:

Measure High Voltage with a Model 500 Pulser or a High Impedance voltmeter with a high meg probe. If one of these instruments is not available use a voltmeter with a minimum of 1000 megohm input resistance.

Calibration shall include response evaluations and adjustment for two points of each scale of the instrument. The points shall be separated by at least 40% of the full-scale value and should be represented by points of approximately equal distance from the mid-point of the scale. For example, 25% and 75%, or 20% and 80% could be used.

Exposure Rate Calibration

Connect the input of the instrument to a negative pulse generator, such as a Ludlum Model 500 Pulser.

Caution!

The instrument input operates at a high potential. Connect the pulse generator through a 0.01 μ F, 3,000-volt capacitor, unless the pulse generator is already protected.

Adjust the HV control for the proper operation voltage of the detector to be used. Disconnect the Pulser and connect the detector to the instrument.

Turn the range selector switch to the $\times 100$ position. Expose the detector to a calibrated gamma field which corresponds to approximately 80% of full-scale meter deflection. Adjust the $\times 100$ calibration control for the proper reading.

Reposition the detector so the field corresponds to approximately 20% of full-scale meter deflection. Confirm that the meter reading is within 10% of the field.

Repeat this process for the $\times 10$, $\times 1$ and $\times 0.1$ ranges.

If your gamma exposure range cannot calibrate two positions on each scale, the Pulser may be used to “electronically calibrate” the remaining points. Reconnect the Pulser to the instrument and determine the count rate conversion at a previous range calibration point. Then use that conversion rate to calibrate other points or scales.

If, for example, you can exposure rate calibrate the 400 μ R/hr point, but not the 40 μ R/hr point, first use the Pulser to get the count rate equivalent to the calibrated 400 μ R/hr point. Then switch the Pulser “multiplier” switch to the next lower setting, and adjust the appropriate calibration control on the Model 3-IS for the meter to read 40 μ R/hr.

CPM Calibration

Connect the input of the instrument to a negative pulse generator, such as a Ludlum Model 500 Pulser.

Caution!

The instrument input operates at a high potential. Connect the pulse generator through a 0.01 μ F, 3,000-volt capacitor, unless the pulse generator is already protected

Adjust the HV control for the proper operating voltage of the detector to be used. Adjust the Pulser negative pulse frequency to provide a meter deflection of approximately 80% of full-scale on the $\times 100$ range. Adjust the $\times 100$ calibration control for the proper reading.

Check the 20% scale indication of the Model 3-IS by reducing the Pulser count rate by a factor of 4. The Model 3-IS should read within 10% of the actual pulse rate. Decrease the pulse rate of the Model 500 by one decade and turn the Model 3-IS range selector to the next lower range. Repeat the above procedure for the remaining lower ranges.

Note:

In the event that any reading is not within 10% of the true value on any scale after any of the above calibration methods is performed, a reading within 20% of true value shall be acceptable- if a calibration graph or chart is provided with the instrument. Instruments that cannot meet these criteria are defective and require repair.

Establishing an Operating Point

The operating point for the instrument and detector is established by setting the instrument high voltage (HV). The proper selection of this point is the key to instrument performance. Efficiency, background sensitivity and noise are fixed by the physical makeup of the given detector and rarely vary from unit to unit. However, the selection of the operating point makes a marked difference in the apparent contribution of these three sources of count.

In setting the operating point, the final result of the adjustment is to establish the system gain so that the desirable signal pulses (including background) are above the discrimination level and the unwanted pulses from noise are below

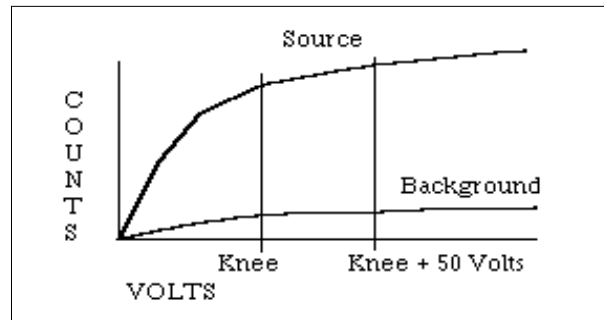
the discrimination level and are therefore not counted. The system gain is controlled by adjusting the HV (high voltage).

Note:

Measure the HV with a Ludlum Model 500 Pulser. If the Pulser does not have a high voltage readout, use a high impedance voltmeter with at least 1000 megohm input resistance to measure the HV.

G-M Detectors: In the special case of GM detectors, a minimum voltage must be applied to establish the Geiger-Mueller characteristic. The output pulse height of the GM detector is not proportional to the energy of the detected radiation. The GM detectors for this unit operate at 900 volts.

Scintillators: Scintillation type detectors have a wide gain spectrum, typically 1000:1 at a single operating point. An operating voltage versus count rate curve (plateau) must be established to determine the proper operating voltage. The operating voltage is typically set above the knee of the plateau. Plot the HV versus background and source count to produce a plateau graph similar to the one in the figure below. Adjust the HV to 25-50 volts above the knee or start of the plateau. This provides the most stable operating point for the detector.



Note:

If more than one detector is to be used with the instrument and the operating voltages are different, the HV will have to be readjusted for each detector substitution.

Maintenance

Instrument maintenance consists of keeping the instrument clean and periodically checking the batteries and the calibration. The Model 3-IS instrument may be cleaned with a damp cloth (using only water as the wetting agent). Do not immerse instrument in any liquid. Observe the following precautions when cleaning:

1. Turn the instrument OFF and remove the batteries.
2. Allow the instrument to sit for 1 minute before accessing internal components.

Recalibration

Recalibration should be accomplished after maintenance or adjustments have been performed on the instrument. Recalibration is not normally required following instrument cleaning, battery replacement, or detector cable replacement.

Note:

Ludlum Measurements, Inc. recommends recalibration at intervals no greater than one year. Check the appropriate regulations to determine required recalibration intervals.

Ludlum Measurements offers a full service repair and calibration department. We not only repair and calibrate our own instruments but most other manufacturer's instruments. Calibration procedures are available upon request for customers who choose to calibrate their own instruments.

Batteries

The batteries should be removed any time the instrument is placed into storage. Battery leakage may cause corrosion on the battery contacts, which must be scraped off and/or washed using a paste solution made from baking soda and water. Use a spanner wrench to unscrew the battery contact insulators, exposing the internal contacts and battery springs. Removal of the handle will facilitate access to these contacts.

Note:

Never store the instrument over 30 days without removing the batteries. Although this instrument will operate at very high ambient temperatures, battery seal failure may occur at temperatures as low as 100°F.

Section

7

Troubleshooting

Occasionally, you may encounter problems with your LMI instrument or detector that may be repaired or resolved in the field, saving turnaround time and expense in returning the instrument to us for repair. Toward that end, LMI electronics technicians offer the following tips for troubleshooting the most common problems. Where several steps are given, perform them in order until the problem is corrected. Keep in mind that with this instrument, the most common problems encountered are: (1) detector cables, (2) sticky meters, (3) battery contacts.

Note that the first troubleshooting tip is for determining whether the problem is with the electronics or with the detector. A Ludlum Model 500 Pulser is invaluable at this point, because of its ability to simultaneously check high voltage, input sensitivity or threshold, and the electronics for proper counting.

We hope these tips will prove to be helpful. As always, please call if you encounter difficulty in resolving a problem or if you have any questions.

Troubleshooting Electronics which utilize a GM Detector or Scintillator

SYMPTOM

No power (or meter does not reach BAT TEST or BAT OK mark)

POSSIBLE SOLUTION

1. Check batteries and replace if weak.
2. Check polarity (See marks inside batter lid). Are the batteries installed backwards?

<u>SYMPTOM</u>	<u>POSSIBLE SOLUTION</u>
No power (or meter does not reach BAT TEST or BAT OK mark) (continued)	<ol style="list-style-type: none">3. Check battery contacts. Clean them with rough sandpaper or use an engraver to clean the tips.4. Remove the can and check for loose or broken wires.
Nonlinear readings	<ol style="list-style-type: none">1. Check the high voltage (HV) using a Ludlum Model 500 Pulser (or equivalent). If a Multimeter is used to check the HV, ensure that one with high impedance is used, as a standard Multimeter could be damaged in this process.2. Check for noise in the detector cable by disconnecting the detector, placing the instrument on the lowest range setting, and wiggling the cable while observing the meter face for significant changes in readings.3. Check for “sticky” meter movement. Does the reading change when you tap the meter? Does the meter needle “stick” at any spot?4. Check the “meter zero.” Turn the power OFF. The meter should come to rest on “0”.
Meter goes full-scale or “pegs out”	<ol style="list-style-type: none">1. Replace the detector cable to determine whether or not the cable has failed- causing excessive noise.2. Check the HV and, if possible, the input threshold for proper setting.

<u>SYMPTOM</u>	<u>POSSIBLE SOLUTION</u>
Meter goes full-scale or “pegs out” (continued)	<ol style="list-style-type: none">3. Remove the can and check for loose or broken wires.4. Ensure that the instrument’s “can” is properly attached. When attached properly, the speaker will be located on the left side of the instrument. If the can is on backwards, interference between the speaker and the input preamplifier may cause noise.
No response to radiation	<ol style="list-style-type: none">1. Substitute a “known good” detector and/or cable.2. Has the correct operating voltage been set? Refer to the calibration certificate or detector instruction manual for correct operating voltage. If the instrument uses multiple detectors, confirm that the high voltage is matched to the current detector being used.
No audio	<ol style="list-style-type: none">1. Ensure that the AUD ON-OFF switch is in the ON position.2. Remove the instrument housing and check the connection between the circuit board and the speaker. Plug in the 2-pin connector if necessary.

Troubleshooting GM Detectors

1. If the tube has a thin mica window, check for window breakage. If damage is evident, the tube must be replaced.
2. Check the HV. Ensure appropriate setting for the detector used.

3. If the input sensitivity is too low, the user could see some double-pulsing.
4. Wires to the tube may be broken or the crimped connector could have a loose wire.

Troubleshooting Scintillators

1. Alpha or alpha/beta scintillators are prone to light leaks. They can be tested for this problem in a dark room or with a bright light. If a light leak is determined, changing the mylar window assembly will usually fix the problem.

Note:

When replacing the window, make sure to use a window made with the same thickness mylar and the same number of layers as the original window.

2. Verify that the HV and input sensitivity are correct. Alpha and gamma scintillators typically operate from 10-35 mV. High voltage varies with the photomultiplier tubes (PMT) from as low as 600 Vdc, to as high as 1100 Vdc.
3. On a gamma scintillator, visually inspect the crystal for breakage or humidity leakage. Water inside the crystal will turn it yellow and gradually degrade performance.
4. Check the PMT to see if the photocathode still exists. If the end of the PMT is clear (not brownish), this indicates a loss of vacuum which will render the PMT useless.

Section

8

Technical Theory of Operation

Low Voltage Supply

Battery voltage is coupled to U11 and associated components (a switching regulator) to provide 5 volts at pin 8 to power all logic circuits. A voltage divider (R27 and R32) located at pin 1 of U11 sets the end-of-battery-life squeal at 2.0 Vdc. Components R12 and C30 provide filtering to create +5 VA used by the amplifier and discriminator circuits.

High Voltage Supply

High voltage is developed by pulses from the switching regulator U13 to transformer T1. High voltage is multiplied by the ladder network of diodes CR3 through CR7 and capacitors C18 through C27. High voltage is coupled back through R39 to pin 8 of U13. High voltage output is set by front panel potentiometer R42, which sets the voltage feedback of 1.31 Vdc to pin 8 of U13. R38 and C28 provide filtering.

Detector Input

Detector pulses are coupled from the detector through C6 to amplifier input pin 2 of U4. CR1 protects U4 from input shorts. R37 couples the detector to the high voltage supply.

Amplifier

A self-biased amplifier provides gain in proportion to R15 divided by R14, with some gain loss due to feedback capacitor C4. A transistor (pin 3 of U4) provides amplification. U6 is configured as a constant current source to pin 3 of U4. The output self-biases to 2 Vbe (approximately 1.4 volts) at the emitter of Q1. This provides just enough bias current through pin 3 of U4 to conduct all of the current from the current source. Positive pulses from the emitter of Q1 are coupled to the discriminator.

Discriminator

Comparator U8 provides discrimination. The discriminator is set by a voltage divider (R21 and R23), coupled to pin 3 of U8. As the amplified pulses at pin 4 of U8 increase above the discriminator voltage, 5 volt negative pulses are produced at pin 1 of U8. These pulses are coupled to pin 5 of U9 for meter drive and pin 12 of U9 for audio.

Audio

Discriminator pulses are coupled to univibrator pin 12 of U9. The front panel audio ON-OFF selector controls the reset at pin 13 of U9. When ON, pulses from pin 10 of U9 turn on oscillator U12, which drives the housing-mounted unimorph speaker. Speaker tone is set by R31 and C14. Tone duration is controlled by R22 and C7.

Scale Ranging

Detector pulses from the discriminator are coupled to univibrator pin 5 of U9. For each scale, the pulse width of pin 6 of U9 is changed by a factor of 10 with the actual pulse width being controlled by the front panel switch, the analog switches U1 and U2, and the related potentiometers. This arrangement allows the same current to be delivered to C9 by 1 count on the $\times 0.1$ range as 1000 counts on the $\times 100$ range.

Meter Drive

Pulses from pin 6 of U9 charge capacitor C9. A constant current driver (opamp U10 and transistor Q2) delivers proportional current to the meter. For battery test (BAT TEST), the meter is directly coupled by the analog switch U3 to the batteries through resistor R8.

Meter Reset

Ratemeter reset is initiated by changing the voltage differential at C9 to zero when the RESET button is depressed.

Fast/Slow Time Constant

For the slow time constant, C17 is switched from the output of the meter drive to parallel C9.

Section

9

Recycling

Ludlum Measurements, Inc. supports the recycling of the electronics products it produces for the purpose of protecting the environment and to comply with all regional, national and international agencies that promote economically and environmentally sustainable recycling systems. To this end, Ludlum Measurements, Inc. strives to supply the consumer of its goods with information regarding reuse and recycling of the many different types of materials used in its products. With many different agencies, public and private, involved in this pursuit it becomes evident that a myriad of methods can be used in the process of recycling. Therefore, Ludlum Measurements, Inc. does not suggest one particular method over another, but simply desires to inform its consumers of the range of recyclable materials present in its products, so that the user will have flexibility in following all local and federal laws.

The following types of recyclable materials are present in Ludlum Measurements, Inc. electronics products, and should be recycled separately. The list is not all-inclusive, nor does it suggest that all materials are present in each piece of equipment:

Batteries	Glass	Aluminum and Stainless Steel
Circuit Boards	Plastics	Liquid Crystal Display (LCD)

Ludlum Measurements, Inc. products which have been placed on the market after August 13, 2005 have been labeled with a symbol recognized internationally as the “crossed-out wheelie bin” which notifies the consumer that the product is not to be mixed with unsorted municipal waste when discarding; each material must be separated. The symbol will be placed near the AC receptacle, except for portable equipment where it will be placed on the battery lid.

The symbol appears as such:



Section 10

Parts List

	Reference	Description	Part Number
Model 3-IS Survey Meter	UNIT	Completely Assembled Model 3-IS Survey Meter	48-3581
Main Board, Drawing 464 × 355	BOARD	Completely Assembled Main Circuit Board	5464-355
CAPACITORS	C1	47pF, 100V	04-5660
	C2	0.1μF, 35V	04-5755
	C3	0.0047μF, 100V	04-5669
	C4	10pF, 100V	04-5673
	C5	0.01μF, 50V	04-5664
	C6	100pF, 3KV	04-5735
	C7	0.022μF, 50V	04-5667
	C8	1μF, 16V	04-5701
	C9	10μF, 25V	04-5655
	C10	100pF, 100V	04-5661
	C11	68μF, 10V	04-5654
	C12	10μF, 25V	04-5728
	C14	470pF, 100V	04-5668
	C15	220pF, 100V	04-5674
	C16	68μF, 10V	04-5654
	C17	47μF, 10V	04-5666
	C18-C27	0.001μF, 500V	04-5734
	C29	10μF, 25V	04-5655
	C30-C31	1μF, 16V	04-5701
	C32	470pF, 100V	04-5668

	Reference	Description	Part Number	
TRANSISTORS	Q1	MMBT3904LT1	05-5841	
	Q2	MMBT4403LT1	05-5842	
INTEGRATED CIRCUITS	U1-U3	MAX4542ESA	06-6453	
	U4-U5	CMXT3904	05-5888	
	U6	CMXT3906	05-5890	
	U7	MAX4541ESA	06-6452	
	U8	MAX985EUK-T	06-6459	
	U9	CD74HC4538M	06-6297	
	U10	LMC7111BIM5X	06-6410	
	U11	LT1304CS8-5	06-6434	
	U12	MIC1557BM5	06-6457	
	U13	LT1304CS8	06-6394	
	DIODES	CR1	CMPD2005S	07-6468
		CR2	RECTIFIER CMSH1-40M	07-6411
		CR3-CR7	CMPD2005S	07-6468
CR9		RECTIFIER CMSH1-40M	07-6411	
SWITCHES	SW1	D5G0206S-9802	08-6761	
	SW2	TP11LTCQE	08-6770	
	SW3-SW4	7101SDCQE	08-6781	
POTENTIOMETERS / TRIMMERS	R33	250K, 64W254, $\times 100$	09-6819	
	R34	250K, 64W254, $\times 100$	09-6819	
	R35	500K, 64W504, $\times 1$	09-6850	
	R36	250K, 64W254, $\times 0.1$	09-6819	
	R42	1.2M, 3296W, HV	09-6957	
RESISTORS	R1-R5	200K, 1/8W, 1%	12-7992	
	R6	8.25K, 1/8W, 1%	12-7838	
	R7	10K, 1/8W, 1%	12-7839	
	R8	2.37K, 1/8W, 1%	12-7861	
	R9-R11	10K, 1/8W, 1%	12-7839	
	R12	200 Ohm, 1/8W, 1%	12-7846	
	R13	10K, 1/8W, 1%	12-7839	
	R14	4.75K, 1/8W, 1%	12-7858	
	R15	200K, 1/8W, 1%	12-7992	
	R16	10K, 1/8W, 1%	12-7839	
	R17	1K, 1/8W, 1%	12-7832	
	R18	4.75K, 1/8W, 1%	12-7858	

	Reference	Description	Part Number
	R19	2K, 1/8W, 1%	12-7926
	R20-R21	100K, 1/8W, 1%	12-7834
	R22	1M, 1/8W, 1%	12-7844
	R23	2.49K, 1/8W, 1%	12-7999
	R24	14.7K, 1/8W, 1%	12-7068
	R25	200K, 1/4W, 1%	12-7992
	R26	100K, 1/4W, 1%	12-7834
	R27	68.1K, 1/8W, 1%	12-7881
	R28	100K, 1/8W, 1%	12-7834
	R29	1K, 1/8W, 1%	12-7832
	R30	100K, 1/8W, 1%	12-7834
	R31	475K, 1/8W, 1%	12-7859
	R32	100K, 1/8W, 1%	12-7834
	R37	100K, 1/8W, 1%	12-7834
	R39	500M, 3KV, 2%	12-7031
	R40	604K, 1/8W, 1%	12-7889
	R43	14.7K, 1/4W, 1%	12-7068
	R44	1K, 1/4W, 1%	12-7832
CONNECTORS	P1	640456-5 - MTA10013-8057	
	P2	640456-6 - MTA100 (installed as required)	13-8095
	P3	640456-2 - MTA10013-8073	
INDUCTOR	L1	22 μ H	21-9808
TRANSFORMER	T1	31032R	21-9925
Safety Board, Drawing 464 \times 361	BOARD	Completely Assembled Safety Board	5464-361

	Reference	Description	Part Number
Wiring Diagram, Drawing 464 × 358		Model 3-IS-1 Detector Board	5408-267
BOARD	R2	1 MEG, 1/4W, 5%	10-7028
	V1	GM Tube- LND72611	01-5011
MISCELLANEOUS	M1	Meter	4363-188
	R1	25 ohm, 2.5W, 5%	12-7245

Section
11

Drawings

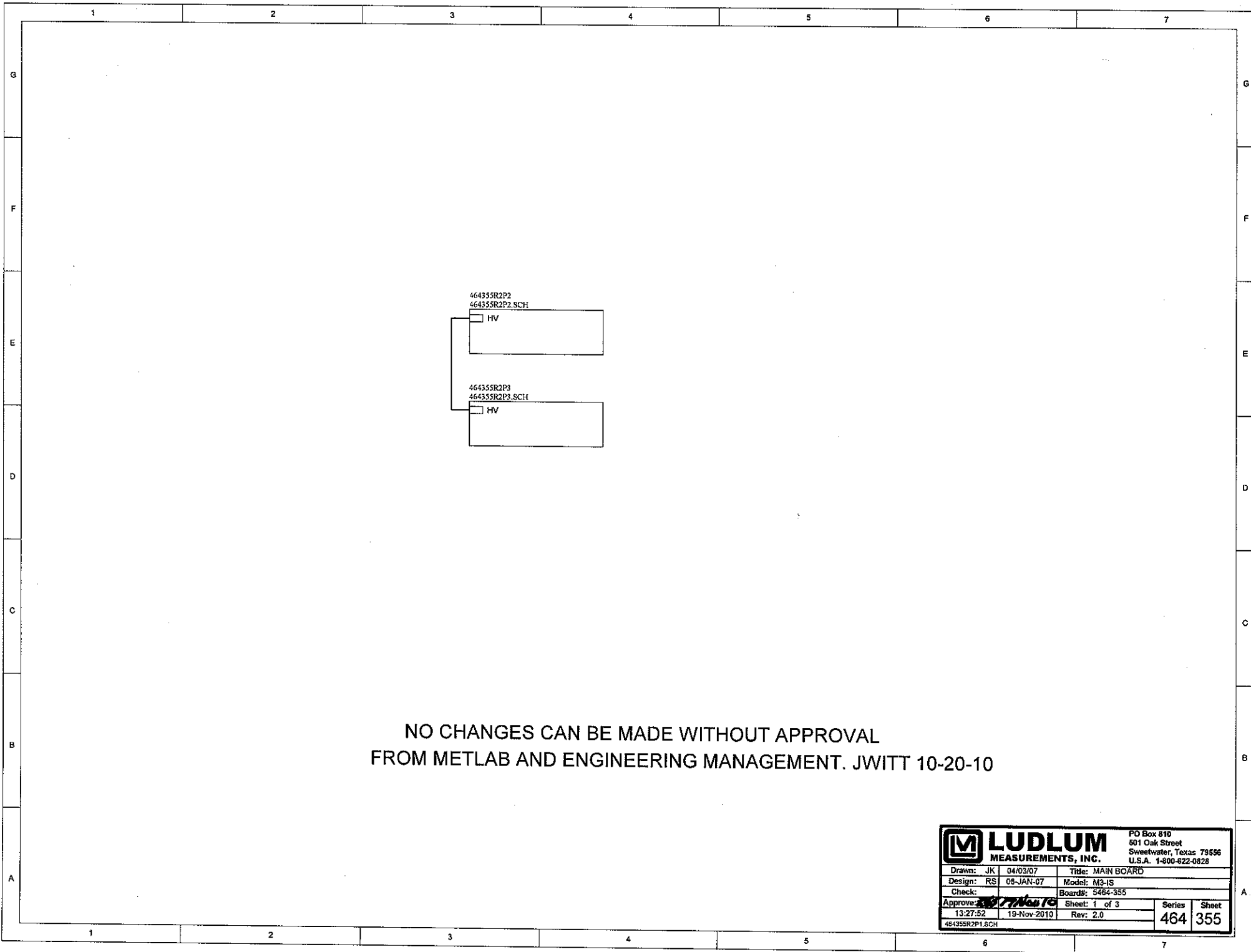
MAIN CIRCUIT BOARD, Drawing 464 × 355 (3 sheets)

MAIN CIRCUIT BOARD LAYOUT, Drawing 464 × 356 (2 sheets)

SAFETY BOARD, Drawing 464 × 361

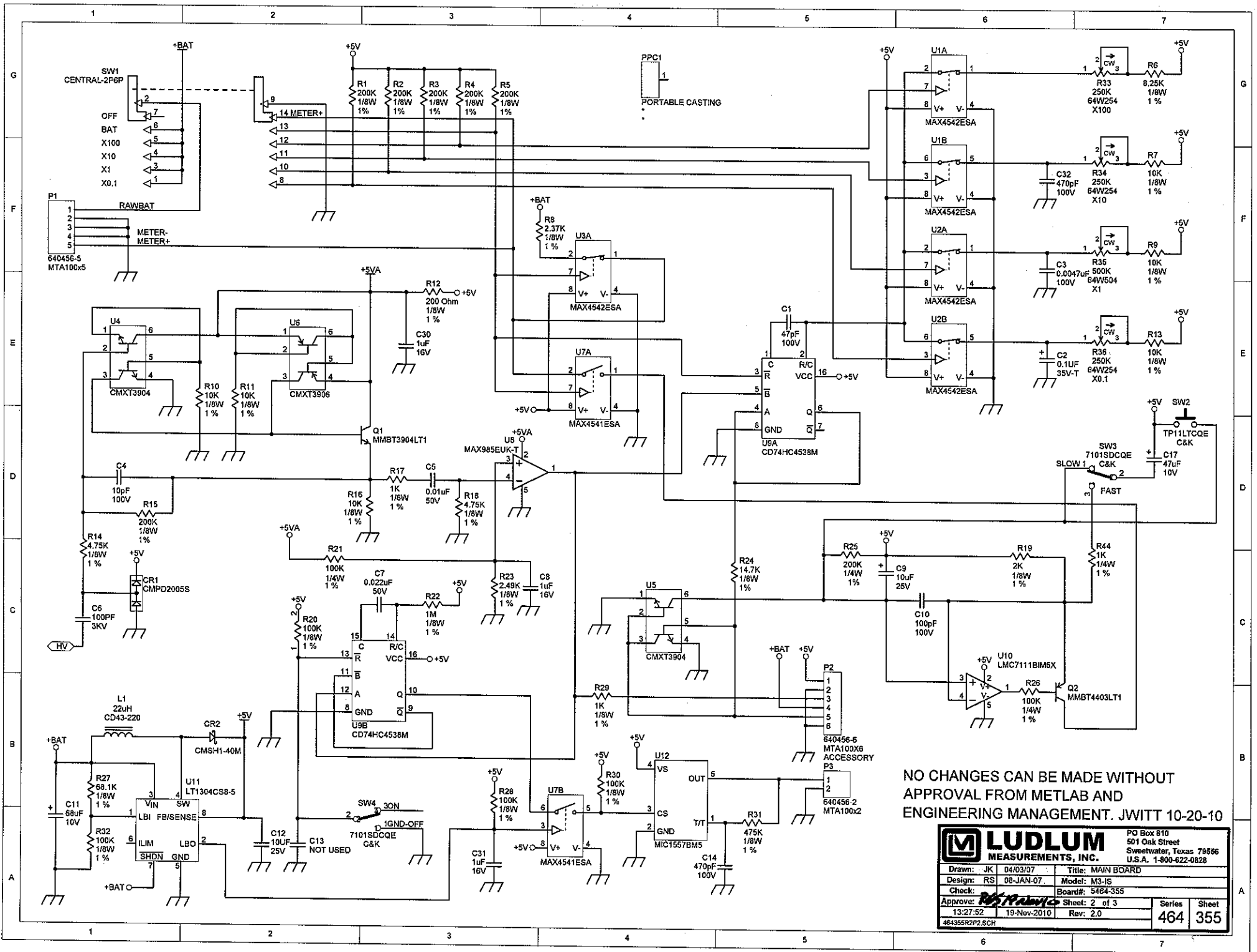
SAFETY BOARD LAYOUT, Drawing 464 × 362

CHASSIS WIRING DIAGRAM, Drawing 464 × 358



NO CHANGES CAN BE MADE WITHOUT APPROVAL
 FROM METLAB AND ENGINEERING MANAGEMENT. JWITT 10-20-10

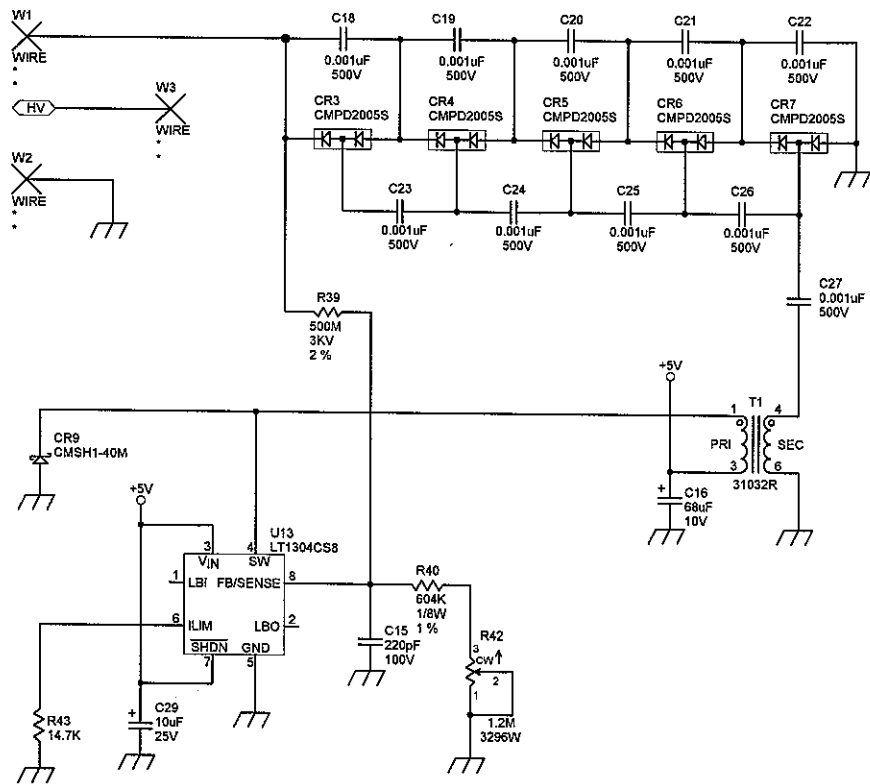
		PO Box 610 501 Oak Street Sweetwater, Texas 79556 U.S.A. 1-800-622-0828	
Drawn: JK	04/03/07	Title: MAIN BOARD	
Design: RS	08-JAN-07	Model: M3-IS	
Check:		Board#: 5464-355	
Approve:	19-Nov-2010	Sheet: 1 of 3	Series
13:27:52	19-Nov-2010	Rev: 2.0	Sheet
464355R2P1.SCH			464 355



NO CHANGES CAN BE MADE WITHOUT APPROVAL FROM METLAB AND ENGINEERING MANAGEMENT. JWITT 10-20-10

		PO Box 810 501 Oak Street Sweetwater, Texas 79556 U.S.A. 1-800-622-0828	
		Drawn: JK 04/03/07 Design: RS 08-JAN-07 Check: <i>RS</i> Approve: <i>RS</i>	Title: MAIN BOARD Model: M3-IS Board#: 5464-355 Sheet: 2 of 3 Rev: 2.0

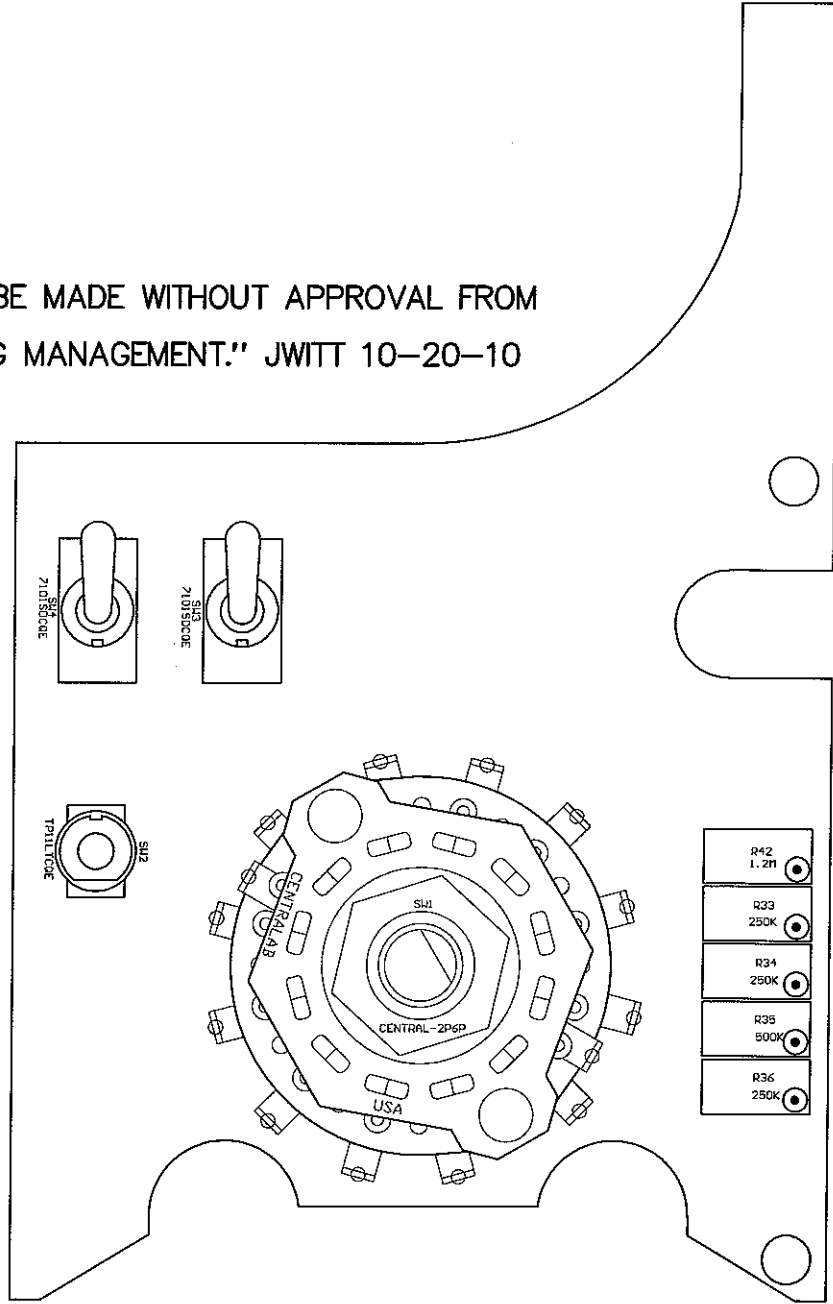
484355R2P2.SCH



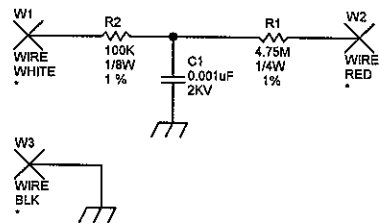
NO CHANGES CAN BE MADE WITHOUT APPROVAL
 FROM METLAB AND ENGINEERING MANAGEMENT. JWITT 10-20-10

LUDLUM MEASUREMENTS, INC.		PO Box 810 501 Oak Street Sweetwater, Texas 79556 U.S.A. 1-800-622-0828	
Drawn: JK	04/03/07	Title: MAIN BOARD	
Design: RS	08-JAN-07	Model: M3-IS	
Check:		Board#: 5464-355	
Approve: <i>[Signature]</i>	13:27:53	Sheet: 3 of 3	Series Sheet
	19-Nov-2010	Rev: 2.0	464 355
464355R2P3.SCH			

"NO CHANGES CAN BE MADE WITHOUT APPROVAL FROM
 METLAB AND ENGINEERING MANAGEMENT." JWITT 10-20-10



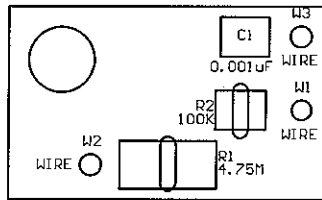
Drawn:	JK	24-MAY-04	Title: MAIN BOARD		
Design:	DL	24-MAY-04			
Check:			Model: M3-IS		
Approve:	<i>RSS</i>	<i>19 Nov 10</i>	Board#: 5464-355		
Layer:			Rev: 2.0	Series	Sheet
	13:15:29	19-Nov-2010	SCALE: 1.50	464	356



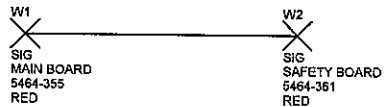
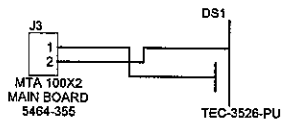
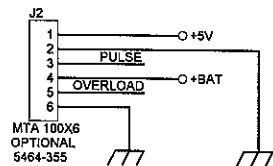
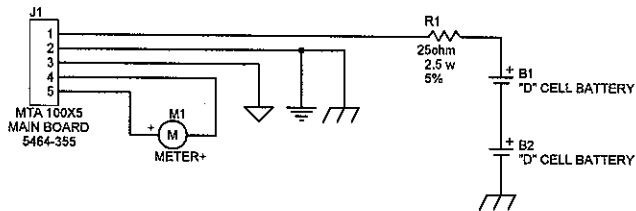
NO CHANGES CAN BE MADE WITHOUT APPROVAL
FROM METLAB AND ENGINEERING MANAGEMENT. JWITT 10-20-10

		PO Box 810 501 Oak Street Sweetwater, Texas 79556 U.S.A. 1-800-622-0828	
Drawn: JK	23-FEB-07	Title: SAFTEY BOARD	
Design: RS	23-FEB-07	Model: M3-IS	
Check:		Board#: 5464-361	
Approve:		Sheet: 1 of 1	Series
13:31:16	19-Nov-2010	Rev: 2.0	Sheet
464361R2.SCH			464 361

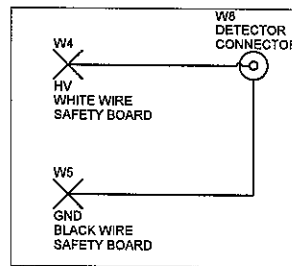
"NO CHANGES CAN BE MADE WITHOUT APPROVAL FROM METLAB AND ENGINEERING MANAGEMENT." JWITT 10-20-10



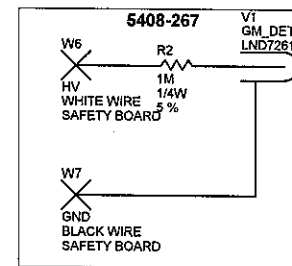
Drawn:	JK	23-FEB-07	Title: SAFTEY BOARD		
Design:	RS	23-FEB-07			
Check:			Model: M3-IS		
Approve:	<i>RSS</i>	<i>19 Nov 10</i>	Board#: 5464-361		
Layer:			Rev: 2.0	Series 464	Sheet 362
	13:31:02	19-Nov-2010	SCALE: 2.02		



MODEL 3-IS ONLY



MODEL 3-IS-1 ONLY



NO CHANGES CAN BE MADE WITHOUT APPROVAL
FROM METLAB AND ENGINEERING MANAGEMENT. JWITT 10-20-10

LUDLUM MEASUREMENTS, INC.		PO Box 310 501 Oak Street Sweetwater, Texas 79556 U.S.A. 1-800-822-0828	
Drawn: SA	09/22/08	Title: WIRING DIAGRAM	
Design: RSS	09/22/08	Model: M3-IS & 3-IS-1	
Board#: 5464-358		Sheet: 1 of 1	
Approve: <i>[Signature]</i>	13:21:13	19-Nov-2010	Rev: 3.0
484358R3P1.SCH		Series	Sheet
		464	358