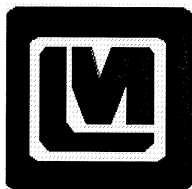


LUDLUM MODEL 272

REMOTE

June 2005

**Serial No. 184151 and Succeeding
Serial Numbers**



LUDLUM MEASUREMENTS, INC.

501 OAK ST., P.O. BOX 810

SWEETWATER, TX 79556

325/235-5494 FAX: 325/235-4672

STATEMENT OF WARRANTY

Ludlum Measurements, Inc. warrants the products covered in this manual to be free of defects due to workmanship, material, and design for a period of twelve months from the date of delivery. The calibration of a product is warranted to be within its specified accuracy limits at the time of shipment. In the event of instrument failure, notify Ludlum Measurements to determine if repair, recalibration, or replacement is required.

This warranty excludes the replacement of photomultiplier tubes, G-M and proportional tubes, and scintillation crystals which are broken due to excessive physical abuse or used for purposes other than intended.

There are no warranties, express or implied, including without limitation any implied warranty of merchantability or fitness, which extend beyond the description of the face there of. If the product does not perform as warranted herein, purchaser's sole remedy shall be repair or replacement, at the option of Ludlum Measurements. In no event will Ludlum Measurements be liable for damages, lost revenue, lost wages, or any other incidental or consequential damages, arising from the purchase, use, or inability to use product.

RETURN OF GOODS TO MANUFACTURER

If equipment needs to be returned to Ludlum Measurements, Inc. for repair or calibration, please send to the address below. All shipments should include documentation containing return shipping address, customer name, telephone number, description of service requested, and all other necessary information. Your cooperation will expedite the return of your equipment.

**LUDLUM MEASUREMENTS, INC.
ATTN: REPAIR DEPARTMENT
501 OAK STREET
SWEETWATER, TX 79556**

**800-622-0828 325-235-5494
FAX 325-235-4672**

TABLE OF CONTENTS

1. GENERAL1

2. CABLE.....1

**M272 Remote
June 2005**

1. GENERAL

The Model 272 Remote is a remote status instrument for the Ludlum Model 375 series of Area Monitors. The Model 272 shows the current status of the Model 375 that it is connected to. The HIGH ALARM, SYSTEM OK, and DETECTOR FAIL lights are all provided. A relay connection enables further alarms to be triggered on alarm. Connections to the relay are provided through a 0.156" MTA connection on the back of the circuit board. Both the relay and the audio have a switch to enable or disable them. A five decade logarithmic meter displays the current radiation reading from 0.1 mR/hr to 10k mR/hr (10 R/hr).

2. CABLE

CABLE WIRE-UP FROM MODEL 375 TO MODEL 272

MALE PINS--MODEL 375
9-PIN D-SHELL CONNECT. W/6 PINS

FEMALE PINS--MODEL 272
9-PIN D-SHELL CONNECT. W/6 PINS

5	METER	1
9	+5V	6
2	GND	4
3	FAIL	3
7	ALARM	8
8	EXTRESET	7

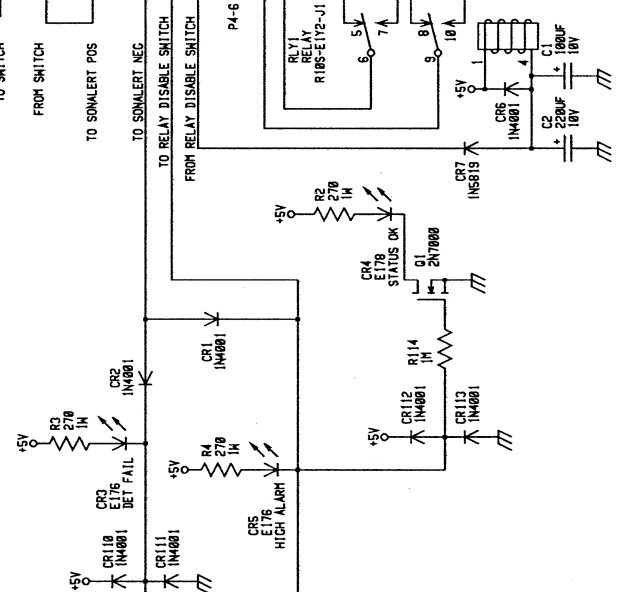
REV. NO.	DATE	DESCRIPTION	APPROVED

P2- 2 PIN X 100 MTA
TO METER OR RCOR
ANALOG OUTPUT → P2 -1
→ P2 -2
→ GND

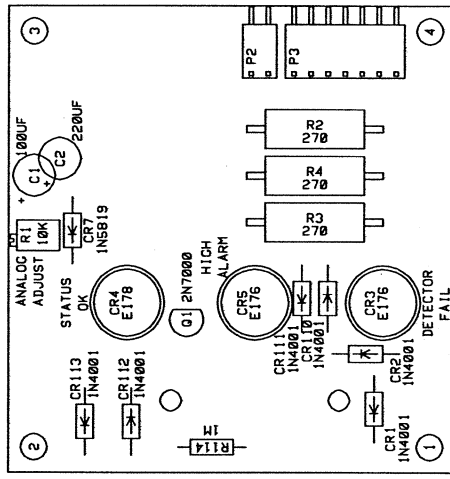
P3- 7 PIN X 100 MTA
TO SONALERT AND AUDIO EMBLE SWITCH
→ P3 -5
FROM EXTERNAL RESET SWITCH

P1- 9 PIN D STRAIGHT CONNECTOR
ON BACKSIDE OF BOARD
INPUT FROM MODEL 27C

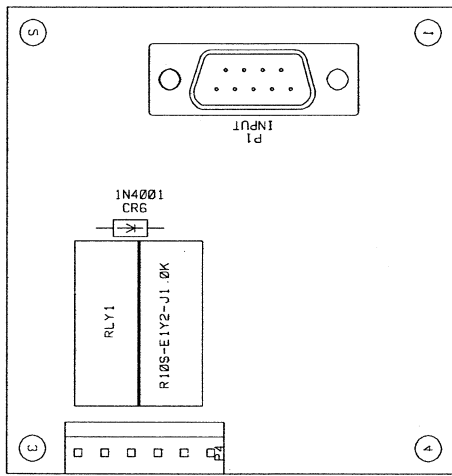
P1 -1 → ANALOG
P1 -2 → NC
P1 -7 → EXT-RESET
P1 -3 → FAIL_L
P1 -4 → GND
P1 -5 → NC
P1 -6 → +5V
P1 -8 → ALARM_L
P1 -9 → NC



UPDATED	11/14/94	LUDLUM MEASUREMENTS INC.
DR CWB	11/14/94	TITLE : MAIN BOARD
ESON BSS	11/11/94	BOARDN 5208-085
TUPD PPS	07/20/94	SIZE C
NEXT HIGHER ASSY.	272	MODEL 238
13.28.39	25-166-34	SHEET 57
		SHEET 0F



LUDLUM MEASUREMENTS INC., SHEETWATER, TX.	
DR	CKB 14-NOV-94
TITLE:	MAIN BOARD
BOARD:	522B-085
DATE:	14-NOV-94
MODEL:	272
FILENAME:	BSE38085
APP	BSP ASSY
DATE:	13-30-28
REVISED:	29-DEC-04
COMPONENT	SOLDER
REVISION	SHEET
SHEET	58
OUTLINE	OUTLINE
OUTLINE	238
OUTLINE	1.0



<input checked="" type="checkbox"/> LUDLUM MEASUREMENTS INC., SWEETWATER, TX.			
DR	CWB	14-NOV-94	TITLE: MAIN BOARD
DSCN ASSY 14-NOV-94		BOARD# 5238-085	SHEET 58
APP RS 278-24		MODEL 272	SERIES 238
COMP PASTE <input type="checkbox"/> COMP MASK <input type="checkbox"/> SLDR PASTE <input type="checkbox"/> SLDR MASK <input type="checkbox"/>		COMP ARTWORK <input type="checkbox"/> SLDR ARTWORK <input type="checkbox"/>	COMP OUTLINE <input type="checkbox"/> SLDR OUTLINE <input checked="" type="checkbox"/>