

**LUDLUM MODEL 271-2
REMOTE**

**August 2006
Serial Number PR244365 and Succeeding
Serial Numbers**



LUDLUM MEASUREMENTS, INC.
501 OAK STREET, P.O. BOX 810
SWEETWATER, TEXAS 79556
325-235-5494, FAX: 325-235-4672

STATEMENT OF WARRANTY

Ludlum Measurements, Inc. warrants the products covered in this manual to be free of defects due to workmanship, material, and design for a period of twelve months from the date of delivery. The calibration of a product is warranted to be within its specified accuracy limits at the time of shipment. In the event of instrument failure, notify Ludlum Measurements to determine if repair, recalibration, or replacement is required.

This warranty excludes the replacement of photomultiplier tubes, G-M and proportional tubes, and scintillation crystals which are broken due to excessive physical abuse or used for purposes other than intended.

There are no warranties, express or implied, including without limitation any implied warranty of merchantability or fitness, which extend beyond the description of the face there of. If the product does not perform as warranted herein, purchaser's sole remedy shall be repair or replacement, at the option of Ludlum Measurements. In no event will Ludlum Measurements be liable for damages, lost revenue, lost wages, or any other incidental or consequential damages, arising from the purchase, use, or inability to use product.

RETURN OF GOODS TO MANUFACTURER

If equipment needs to be returned to Ludlum Measurements, Inc. for repair or calibration, please send to the address below. All shipments should include documentation containing return shipping address, customer name, telephone number, description of service requested, and all other necessary information. Your cooperation will expedite the return of your equipment.

**LUDLUM MEASUREMENTS, INC.
ATTN: REPAIR DEPARTMENT
501 OAK STREET
SWEETWATER, TX 79556**

**800-622-0828 325-235-5494
FAX 325-235-4672**

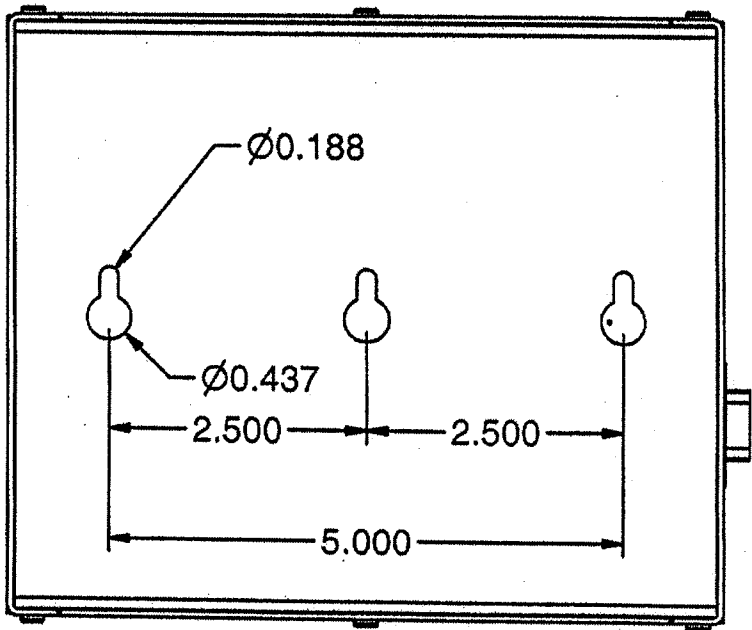
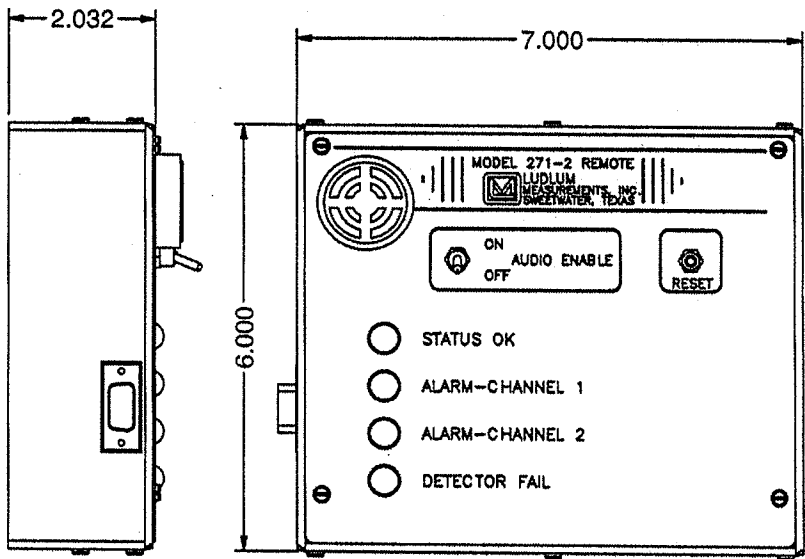


Table of Contents

Introduction **1**

Drawings and Diagrams **1**

Introduction

The Model 271-2 Remote is a remote status instrument for use with Ludlum Model 375P Radiation Detection Systems. The Model 271-2 displays the status of the Model 375P connected to it. Indicators include STATUS OK, ALARM-CHANNEL 1, ALARM-CHANNEL 2 and DETECTOR FAIL. An AUDIO ENABLE ON/OFF switch is provided for control of the remote audio output. A RESET pushbutton is provided in order to reset the latched alarm. Power is provided by the Model 375P.

Drawings and Diagrams

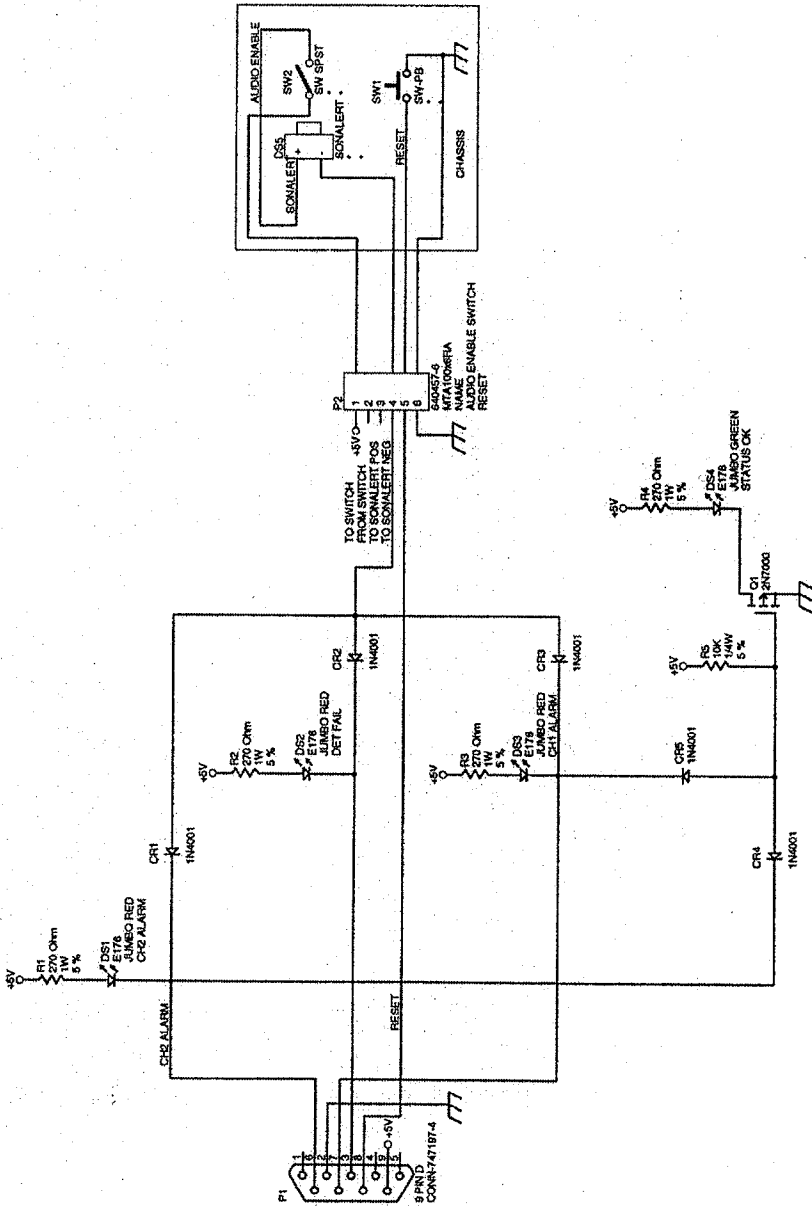
MAIN BOARD AND CHASSIS, Drawing 238 × 112 (Rev.1.0)

MAIN BOARD COMPONENT LAYOUT,
Drawing 238 × 113 (Rev.1.0)

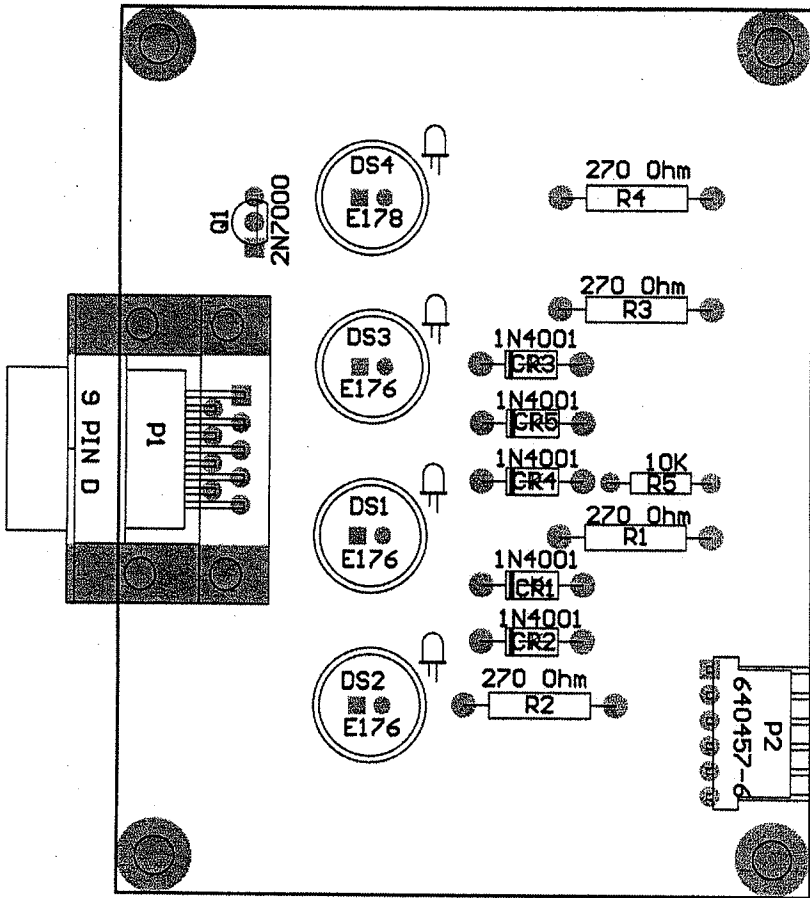
M 271-2 HARNESS, Drawing 238 × 118

M 271-2 WIRE-UP, Drawing 238 × 115A

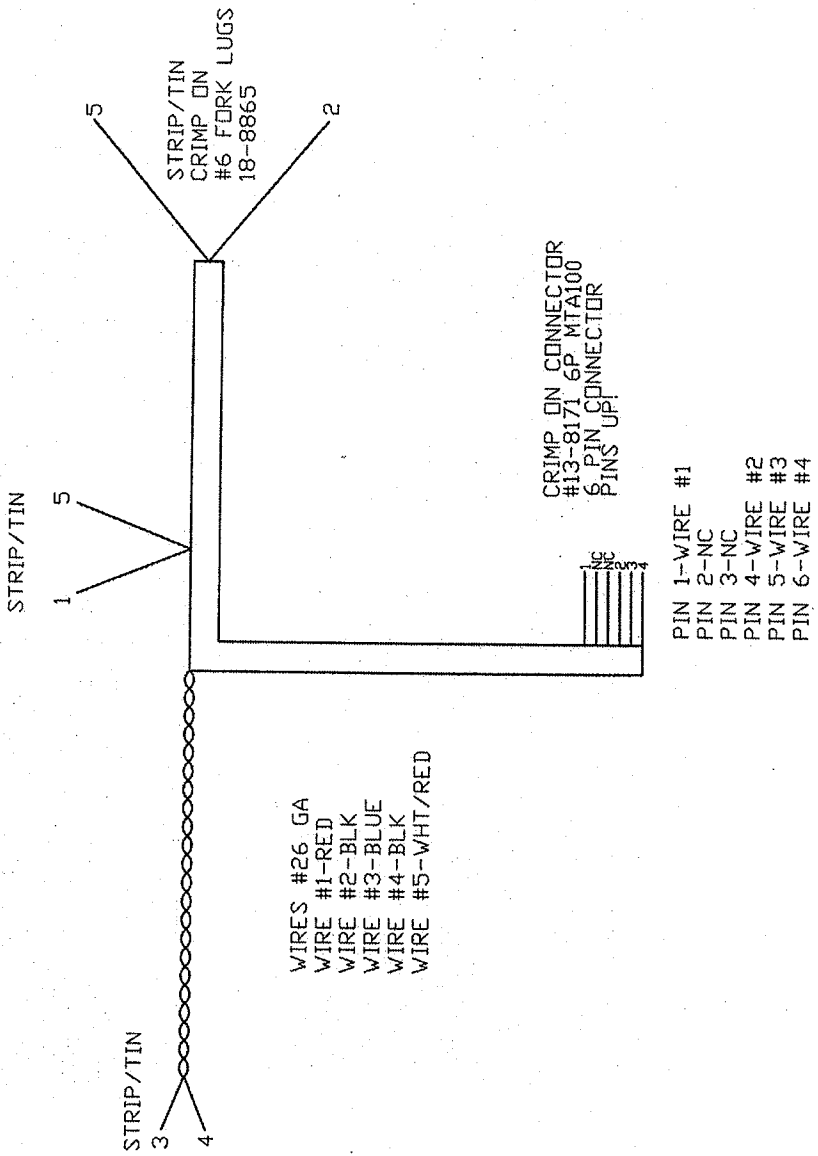
Model 271-2 Remote



MAIN BOARD AND CHASSIS, Drawing 238 × 112 (Rev.1.0)

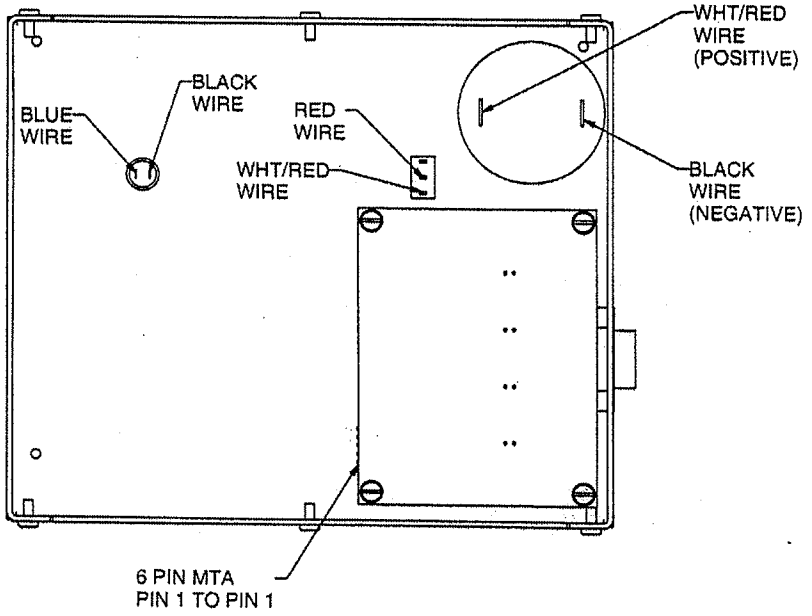


MAIN BOARD COMPONENT LAYOUT,
 Drawing 238 × 113 (Rev.1.0)



M 271-2 HARNESS, Drawing 238 x 118

Model 271-2 Remote



M 271-2 WIRE-UP, Drawing 238 × 115A