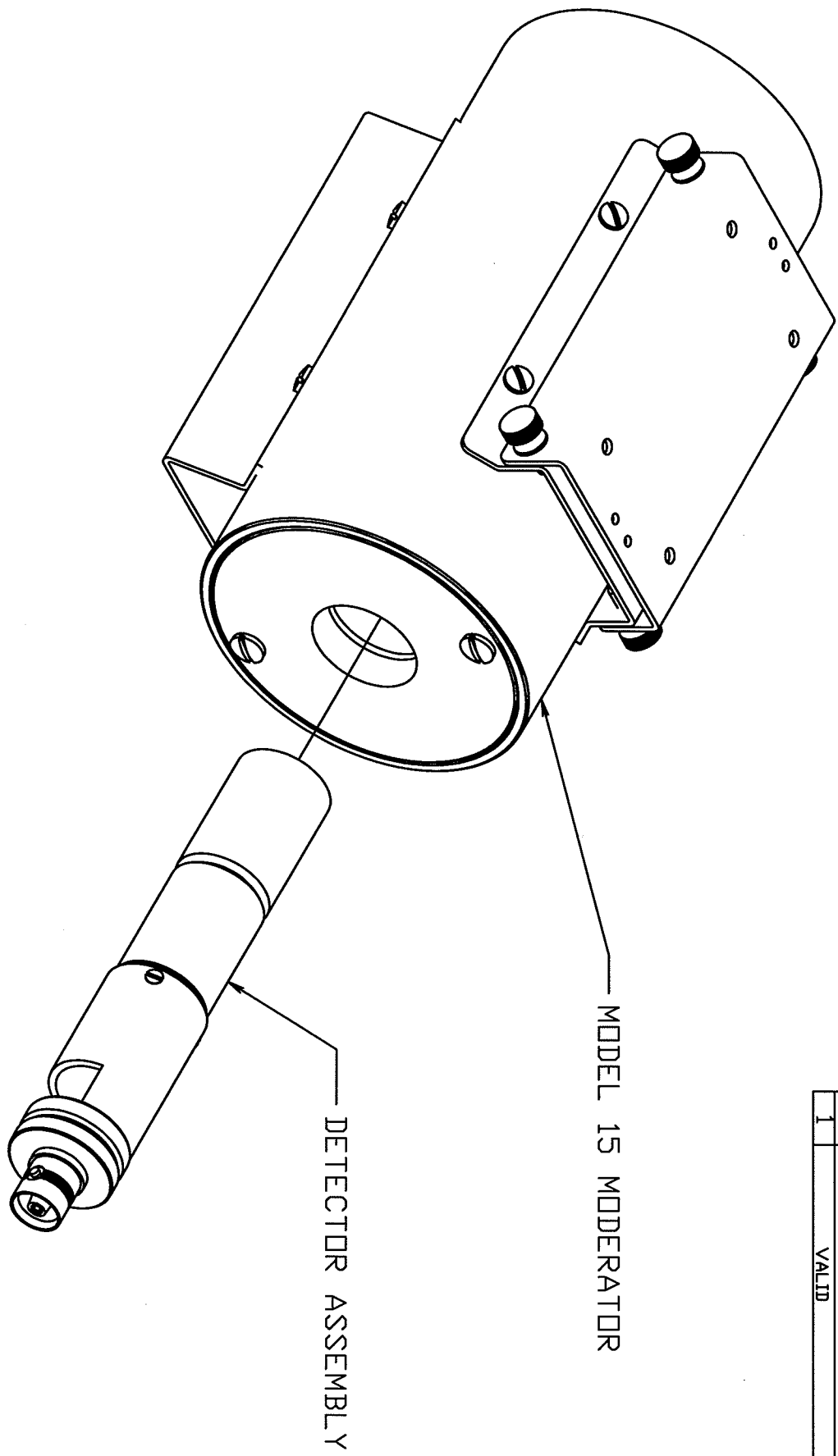


REV #	ALTERATIONS	DATE	BY
1	VALID	11/09/06	PV



STEP 1- REMOVE THE DETECTOR ASSEMBLY FROM THE M 15 MODERATOR. THERE ARE NO SCREWS TO REMOVE, IT JUST SNAPS IN PLACE. THE EASIEST WAY IS TO CONNECT THE CABLE AND PULL ON THE CABLE CONNECTOR USING SOME LIGHT FORCE.

STEP 2-DISPOSE OF DETECTOR ASSEMBLY AS PER LOCAL, STATE AND FEDERAL REGULATIONS.

STEP 3-SEND BACK THE MODEL 15 AND THE MODERATOR TO

LUDLUM MEASUREMENTS INC.
ATTEN; REPAIR DEPT.

501 DAK STREET
SWEETWATER, TX 79556
NOTE-NO RMA NUMBER IS NEEDED BUT A CONTACT NAME AND NUMBER SHOULD BE INCLUDED IN THE BOX.

DATE	11/09/06	CHK	DATE	DATE	11/09/06
DWG NUM	4204-012	SCALE	FULL	SHEET	12A
TITLE M 15(42-14)BF3 DETECTOR REMOVAL					
LUDLUM MEASUREMENTS, INC. 501 DAK STREET SWEETWATER, TEXAS 79556					