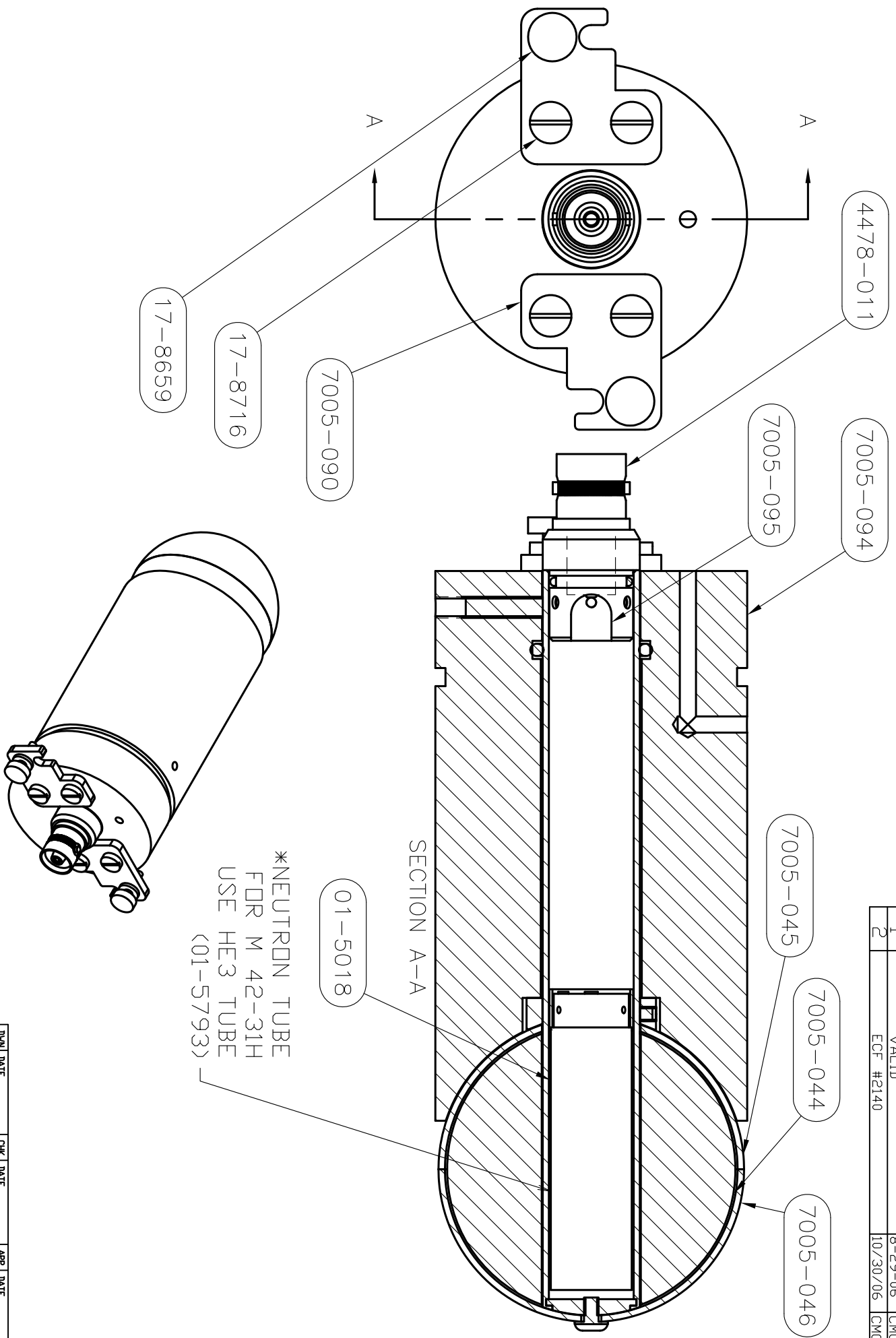


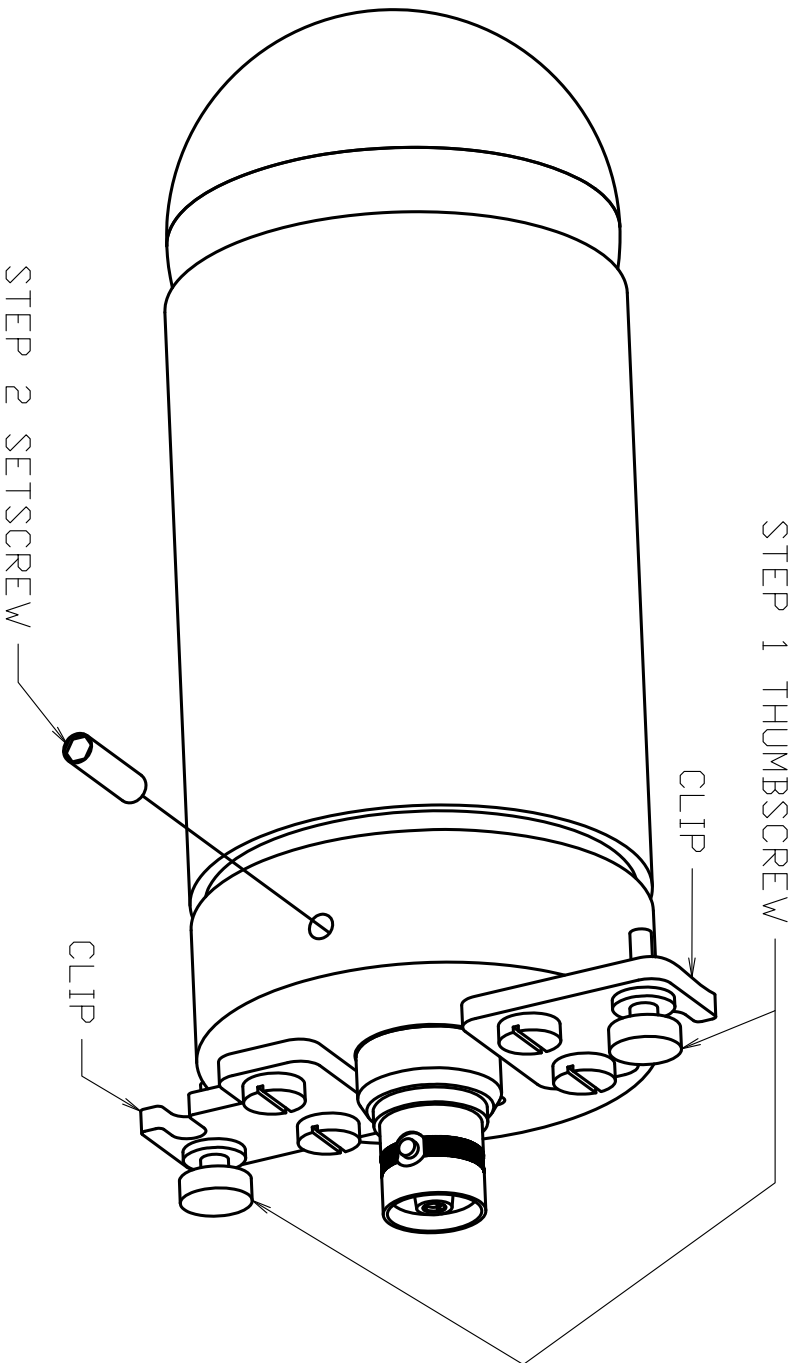
REV #	ALTERATIONS	DATE	BY
1	VALID	8-29-06	CMC
2	ECF #2140	10/30/06	CMC



*NEUTRON TUBE
FOR M 42-31H
USE HE3 TUBE
(01-5793)

DWG DATE	CHK DATE	APP DATE
CMC 10/30/06		
DWG NUM: 4005-023	SCALE: FULL	OTHER <input checked="" type="checkbox"/>
TITLE M 42-31, M 42-31H DETECTOR		
LUDLUM MEASUREMENTS, INC. 501 DK STREET SHELVATER, TEXAS 79585		SHEET 17A

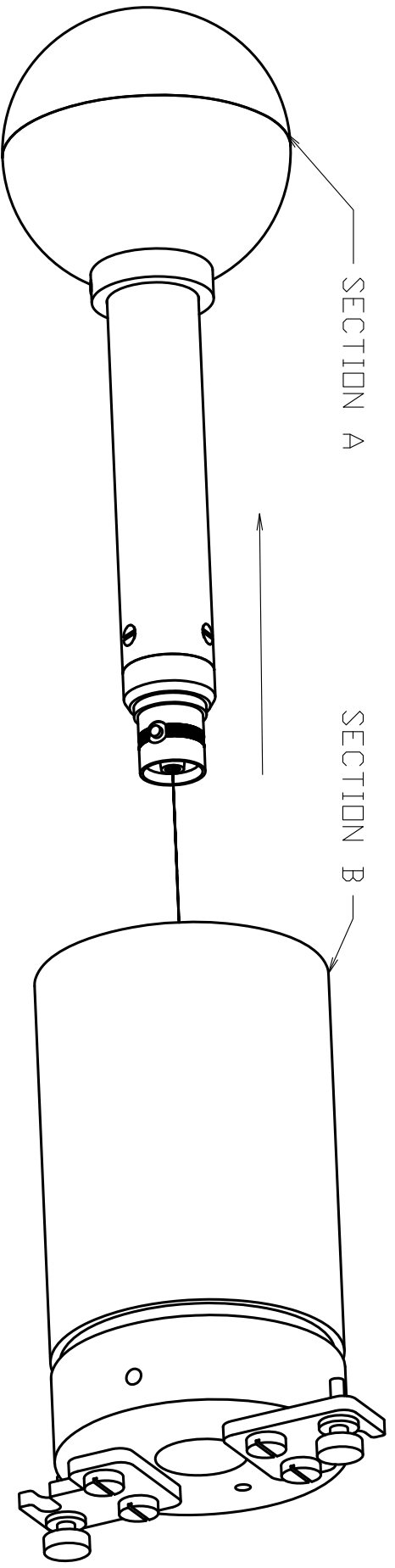
REV #	ALTERATIONS	DATE	BY
1	VALID	10/30/06	PW



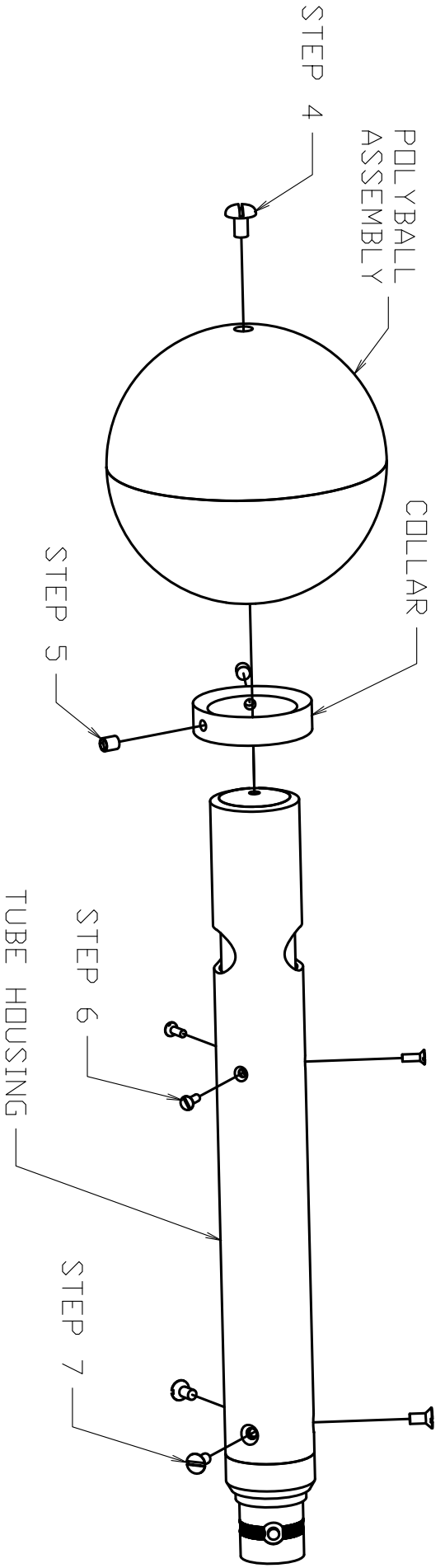
STEP 1-REMOVE THIS SECTION FROM THE POLYETHYLENE BALL BY REMOVING THE TWO THUMBSCREWS AND PULLING THIS SECTION OUT BY THE CLIPS.
 STEP 2-REMOVE THE SETSCREW FROM THE SIDE WITH A 1/8" ALLEN HEX WRENCH.

DWG DATE	CHK DATE	APP DATE
PW 10/30/06		
DWG NUM: 4005-023	SCALE: FULL	OTHER <input checked="" type="checkbox"/>
TITLE M 42-31 BF3 TUBE REMOVAL		
LUDLUM MEASUREMENTS, INC. 501 DAK STREET SHELVATER, TEXAS 75956		SHEET 17B

REV #	ALTERATIONS	DATE	BY
1	VALID	10/30/06	PW



STEP 3-REMOVE SECTION A FROM SECTION B.

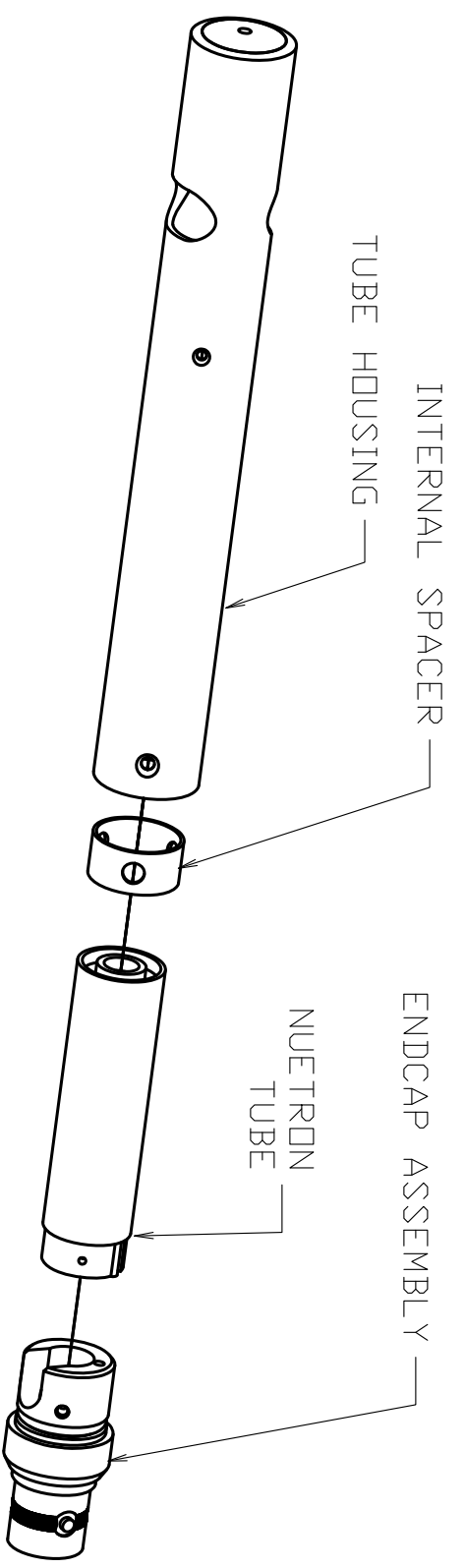


STEP 4-REMOVE SCREW FROM END OF POLYBALL ASSEMBLY AND REMOVE POLYBALL ASSEMBLY.
 STEP 5-REMOVE SETSCREWS FROM THE COLLAR USING A 1/16 ALLEN HEX WRENCH

STEP 6-REMOVE 2-56 SCREWS (3 EA.) FROM TUBE HOUSING.
 STEP 7-REMOVE 4-40 SCREWS (3 EA.) FROM TUBE HOUSING.

DWG DATE	CHK DATE	APP DATE
PW 10/30/06		
DWG NUM: 4005-023	SCALE: FULL	OTHER
TITLE M 42-31 TUBE REMOVAL		
LUDLUM MEASUREMENTS, INC. 501 OAK STREET SHELVATER, TEXAS 75956		SHEET 17C

REV #	ALTERATIONS	DATE	BY
1	VALID	10/30/06	PW



STEP 8-REMOVE ENDCAP ASSEMBLY, NEUTRON TUBE AND INTERNAL SPACER FROM TUBE HOUSING.
 STEP 9-UNWELD THE WIRES FROM NEUTRON TUBE AND DISPOSE OF NEUTRON TUBE PER LOCAL,
 STATE AND FEDERAL REGULATIONS.

STEP 10-REASSEMBLE THE DETECTOR WITHOUT THE NEUTRON TUBE IN REVERSE ORDER AND SHIP
 THE MODEL 42-31 WITH THE MODEL 12-4 BACK TO
 LUDLUM MEASUREMENTS INC.
 ATTN: REPAIR DEPARTMENT
 501 OAK ST.
 SWEETWATER TX 79556
 *
 ND RMA NUMBER IS NEEDED BUT A NOTE WITH A CONTACT NAME AND PHONE NUMBER IS.

DWG DATE	CHK DATE	APP DATE
PW 10/30/06		
DWG NUM: 4005-023	SCALE: FULL	OTHER <input checked="" type="checkbox"/>
TITLE M 42-31 TUBE REMOVAL		
LUDLUM MEASUREMENTS, INC. 501 OAK STREET SWEETWATER, TEXAS 79556		SHEET 17D