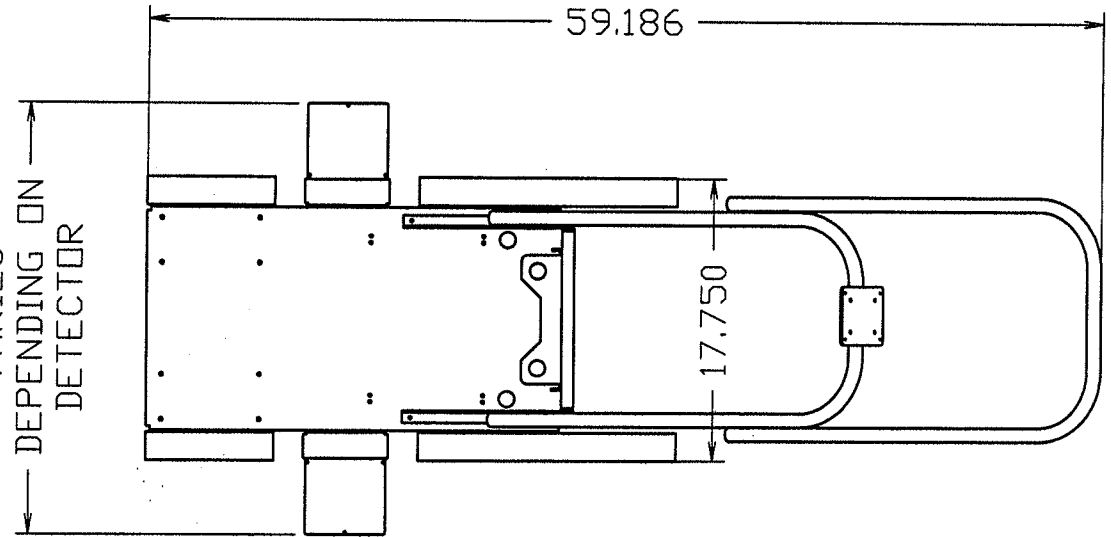
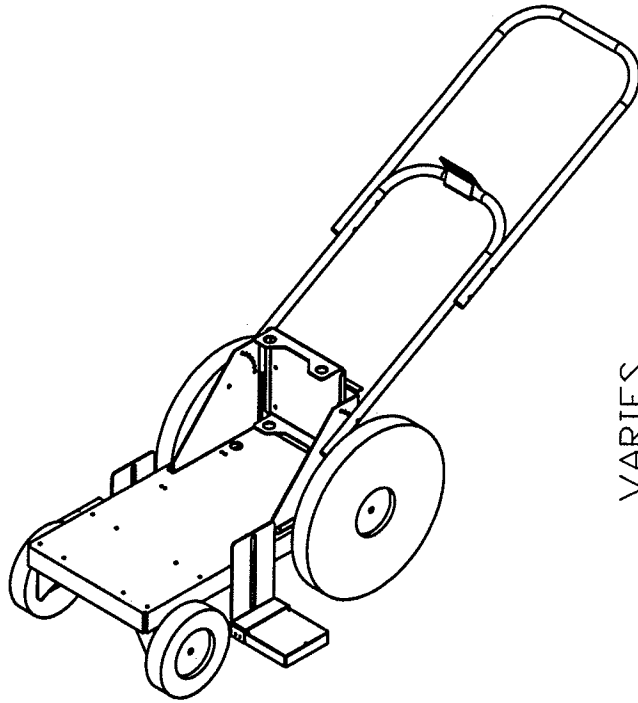
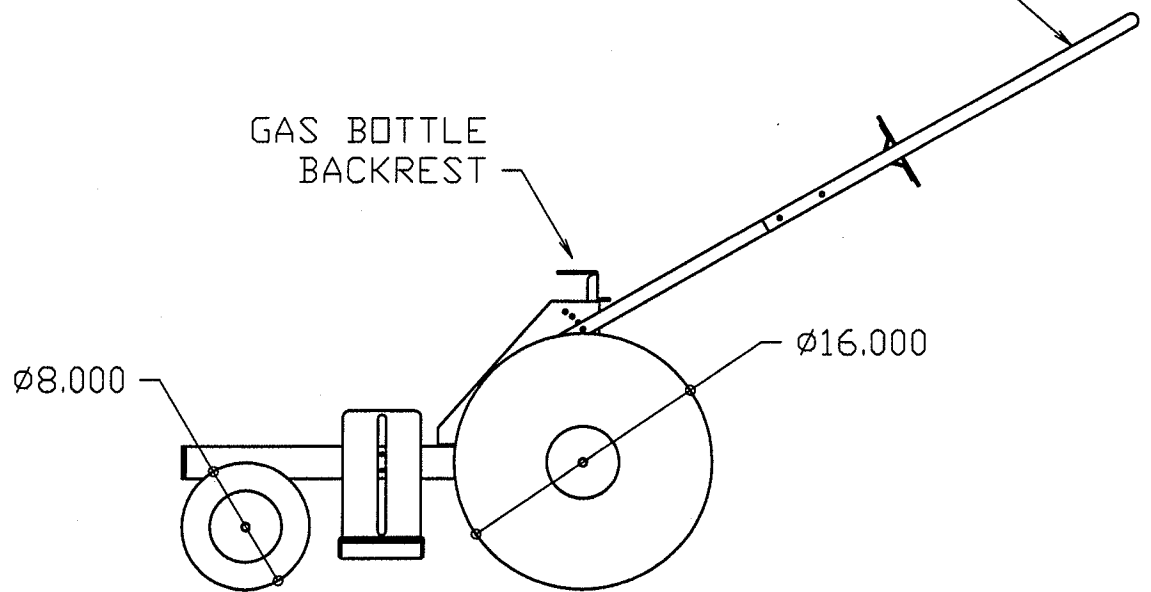
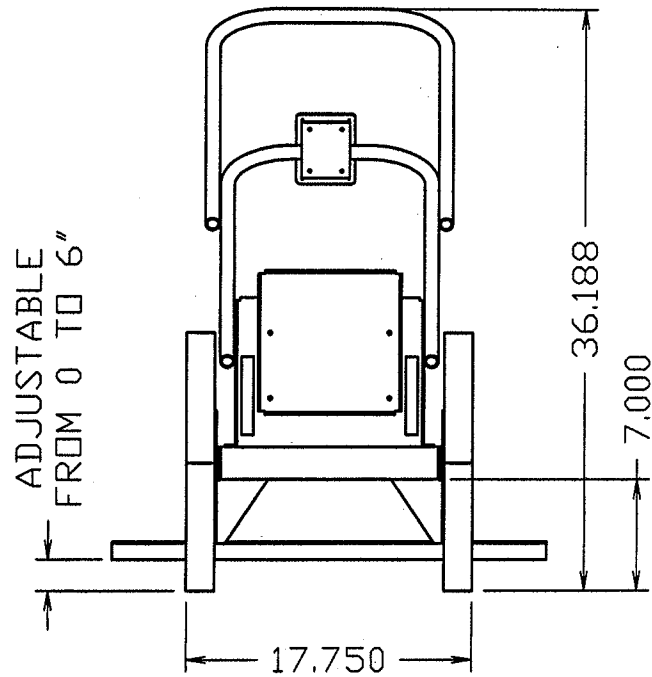


REV #	ALTERATIONS	DATE	BY
1	VALID	12-2-99	JGW



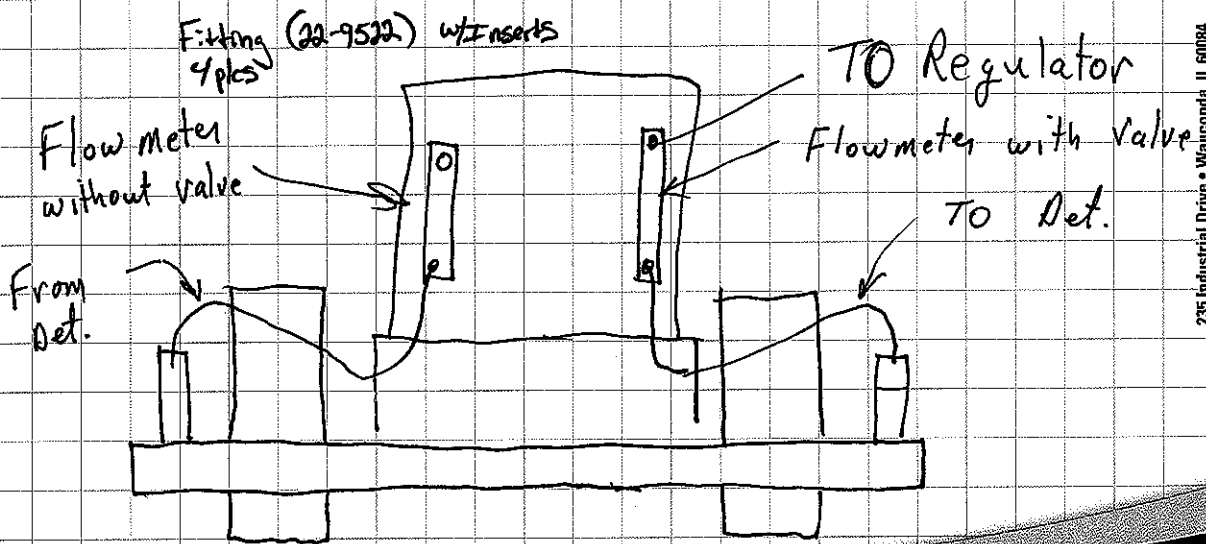
HANDLE HEIGHT IS ADJUSTABLE



DWN DATE JGW 10-7-04	CHECKED	APPROVED JGW 10-2-09
TITLE: M 239-BW BIG WHEEL CART		
LUDLUM MEASUREMENTS, INC. 501 DAK STREET SWEETWATER, TEXAS 75556	SERIES 404	SHEET 75

M 239-BW Flowmeter plumbing Looking at FRONT

PROGRESSIVE
COMPONENTS



235 Industrial Drive • Wauconda, IL 60084
Phone: 800-269-6653 • Fax: 800-462-6653
www.procomp.com



5/7/09