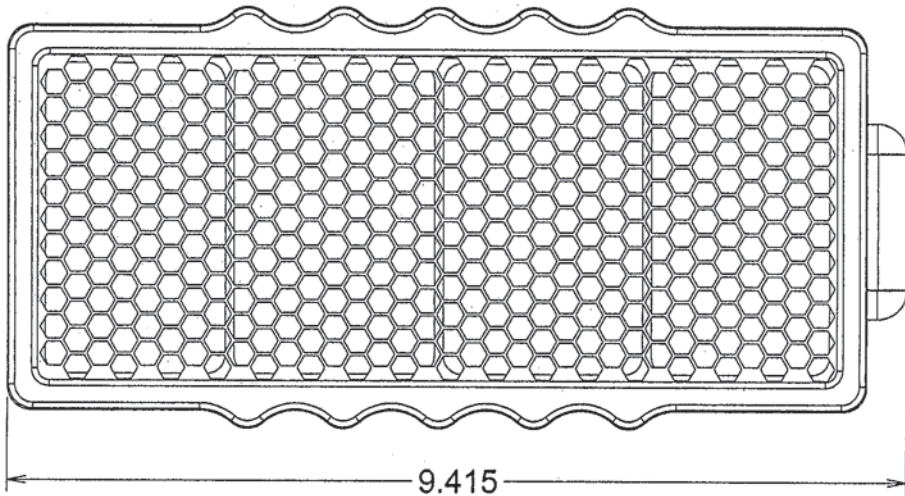
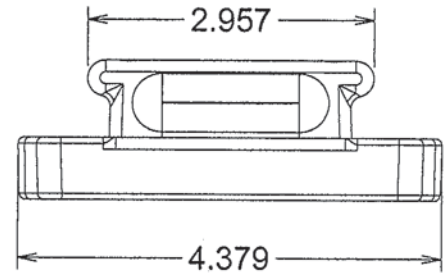
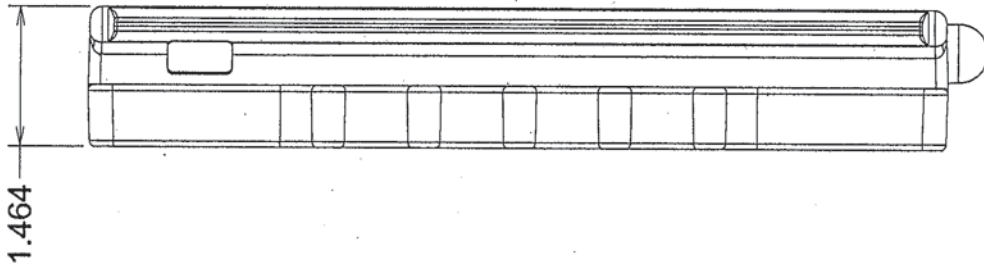
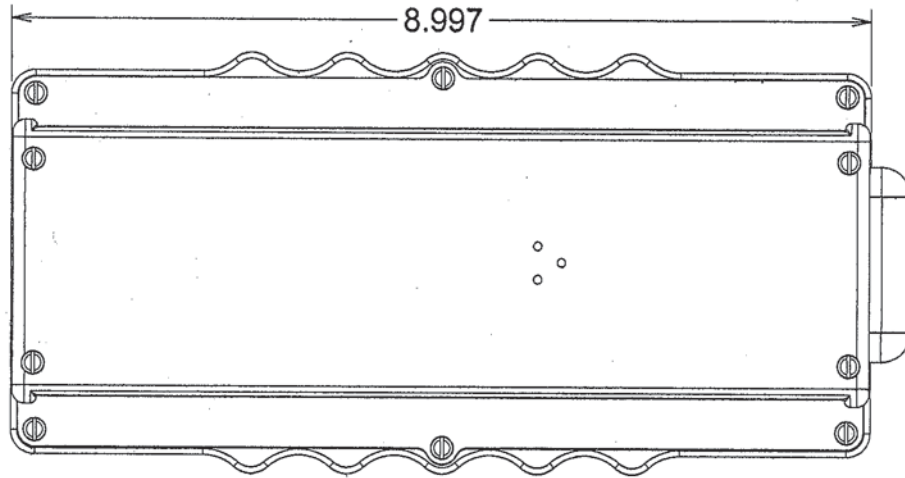



REVISION HISTORY			
REV	DESCRIPTION	DATE	BY
1	VALID	8/31/2007	DDW



DWN	DATE	CHK	DATE	APP	DATE
DDW	8/31/07			RDS	31 Aug 07
DWG NUM: 4110-109					SCALE: <input type="checkbox"/> FULL <input type="checkbox"/> OTHER
TITLE M 215					
 LUDLUM MEASUREMENTS, INC. 501 OAK STREET SWEETWATER, TEXAS 79556		SERIES	SHEET		
		110	109		