

# **Model 30 Series Digital Survey Meter**

**Ludlum Measurements**

**January 2024**

**Serial Number: 25035076 and Succeeding**

**Firmware: F.3.5.4575 and Higher**



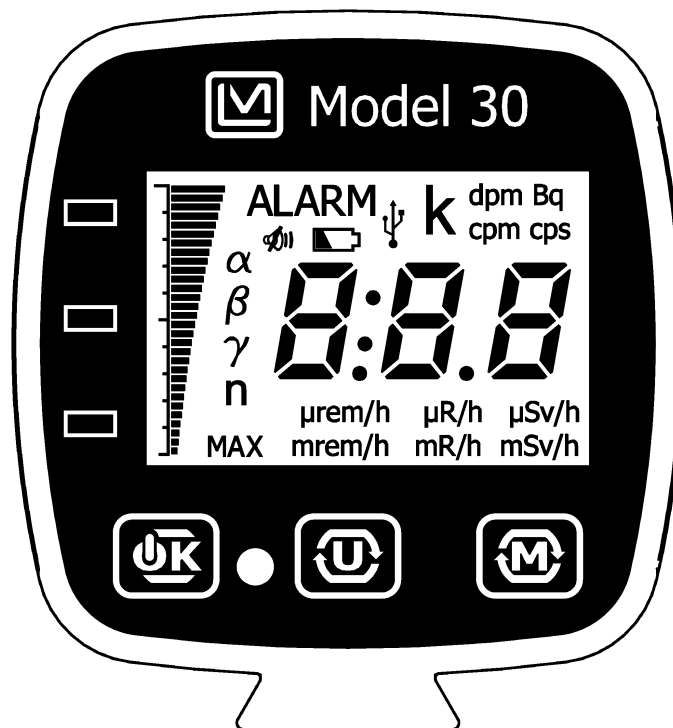
# Model 30 Series Digital Survey Meter

Ludlum Measurements

January 2024

Serial Number: 25035076 and Succeeding

Firmware: F3.5.4575 and Higher



**LUDLUM MEASUREMENTS, INC**  
501 OAK STREET, P.O. BOX 810  
SWEETWATER, TEXAS 79556  
325-235-5494, FAX: 325-235-4672



## **STATEMENT OF WARRANTY**

Ludlum Measurements, Inc. warrants the products covered in this manual to be free of defects due to workmanship, material, and design for a period of twelve months from the date of delivery. The calibration of a product is warranted to be within its specified accuracy limits at the time of shipment. In the event of instrument failure, notify Ludlum Measurements to determine if repair, recalibration, or replacement is required.

This warranty excludes the replacement of photomultiplier tubes, G-M and proportional tubes, and scintillation crystals which are broken due to excessive physical abuse or used for purposes other than intended.

There are no warranties, express or implied, including without limitation any implied warranty of merchantability or fitness, which extend beyond the description of the face thereof. If the product does not perform as warranted herein, purchaser's sole remedy shall be repair or replacement, at the option of Ludlum Measurements. In no event will Ludlum Measurements be liable for damages, lost revenue, lost wages, or any other incidental or consequential damages, arising from the purchase, use, or inability to use product.

## **RETURN OF GOODS TO MANUFACTURER**

If equipment needs to be returned to Ludlum Measurements, Inc. for repair or calibration, please send to the address below. All shipments should include documentation containing return shipping address, customer name, telephone number, description of service requested, and all other necessary information. Your cooperation will expedite the return of your equipment.

**LUDLUM MEASUREMENTS, INC.**

**ATTN: REPAIR DEPARTMENT**

**501 OAK STREET**

**SWEETWATER, TX 79556**

**800-622-0828**

**325-235-5494**

**FAX 325-235-4672**



# CONTENTS

<b>Contents</b>	<b>3</b>
<b>List of Figures</b>	<b>7</b>
<b>List of Tables</b>	<b>9</b>
<b>1 Introduction</b>	<b>11</b>
<b>2 Features</b>	<b>13</b>
<b>3 Quick Reference</b>	<b>15</b>
3.1 Instrument Front Diagram . . . . .	15
3.2 Instrument Rear and Sides Diagram . . . . .	16
3.3 Instrument Internal Diagram . . . . .	17
<b>4 Getting Started</b>	<b>19</b>
4.1 Unpacking and Repacking . . . . .	19
4.2 Battery Installation . . . . .	19
4.3 Instrument Use and Controls . . . . .	20
4.4 Turning the Instrument On and Off . . . . .	20
4.5 Instrument Power ON Sequence . . . . .	20
<b>5 Normal Operation</b>	<b>23</b>
5.1 Buttons . . . . .	23
5.2 Status Icons . . . . .	23
5.3 Display Units . . . . .	24
5.4 Alerts and Alarms . . . . .	24
5.5 RATE Mode . . . . .	25
5.6 MAX Mode . . . . .	26
5.7 COUNT Mode . . . . .	27
<b>6 Fault Detection</b>	<b>31</b>
6.1 Instrument Faults . . . . .	31
6.1.1 Detector Loss of Counts . . . . .	31
6.1.2 Detector Over Range . . . . .	32
6.1.3 Detector Overload . . . . .	32
6.1.4 Calibration Expiration . . . . .	32
6.1.5 Date (Real Time clock) Reset . . . . .	33
6.1.6 Defaults Loaded . . . . .	33
<b>7 Configuration</b>	<b>35</b>
7.1 Setup Overview . . . . .	35
7.2 Setup Menu Introduction . . . . .	36
7.3 Entering Setup Menu . . . . .	36

7.4	Entering Setup Menu (Alternative)	36
7.5	Exit Setup Mode	37
7.6	Setup Mode Operation	37
7.7	Setup Menus	38
7.7.1	Menu Map	38
7.7.2	Setup Group (dEt) - Detector	40
7.7.3	Setup Group (Ch1) Channel 1	42
7.7.4	Setup Group (U-1) - Display Unit	45
7.7.5	Setup Group (U-2) - Display Unit 2	49
7.7.6	Setup Group (InS) - Instrument	51
7.7.7	Setup Group (rtc) - Real Time Clock	54
7.8	DIP Switches	54
<b>8</b>	<b>Advanced Features</b>	<b>57</b>
8.1	Dead Time Correction	57
8.2	Units	57
8.2.1	R to Sv Conversion	58
8.3	Calibration Expiration Lockout	58
8.4	Variable LED Brightness	59
8.4.1	Backlight	59
8.4.2	Ambient Light Value	59
8.5	Audio	59
8.6	Low-Battery Alarm Interval	59
8.7	Software Calibration Tools	60
8.8	Hardware Correction	60
8.9	DIP Switch Viewing	60
8.10	Other Device Data	60
8.11	Real-time Streaming	61
8.12	Neutron Detector Check	61
<b>9</b>	<b>Specifications</b>	<b>63</b>
9.1	Instrument	63
<b>10</b>	<b>Safety Considerations</b>	<b>65</b>
10.1	Environmental Conditions for Normal Use	65
10.2	Warning Markings and Symbols	65
10.3	Cleaning and Maintenance Precautions	66
<b>11</b>	<b>Revision History</b>	<b>67</b>
<b>12</b>	<b>Recycling</b>	<b>69</b>
<b>A</b>	<b>Model 30 Variations</b>	<b>71</b>
A.1	Model 30-4	71
A.1.1	Detector	71
A.1.2	Specifications	71
A.2	Model 30-6	72
A.2.1	Detector	72



---

A.2.2	Specifications . . . . .	72
A.3	Model 30-7 and 30-7B . . . . .	72
A.3.1	Detector . . . . .	73
A.3.2	Specifications . . . . .	73
<b>B</b>	<b>Typical Values</b>	<b>75</b>
<b>C</b>	<b>All Paramters</b>	<b>79</b>
<b>D</b>	<b>Errata</b>	<b>89</b>
D.1	Firmware Known Issues . . . . .	89
<b>E</b>	<b>Assembly Drawings</b>	<b>91</b>
E.1	Model 30 Dimensions . . . . .	92
E.2	Model 30 Parts Diagram . . . . .	93



# LIST OF FIGURES

4.1	Startup display with all LCD segments shown. . . . .	20
4.2	Firmware version display. . . . .	21
4.3	Battery voltage display. . . . .	21
5.1	Alert example in rate mode. . . . .	25
5.2	Alarm example in rate mode. . . . .	25
5.3	RATE mode display. . . . .	26
5.4	MAX mode display. . . . .	27
5.5	Entering COUNT mode from another mode or changing units within COUNT mode. 28	
5.6	COUNT mode ready to start. . . . .	28
5.7	COUNT mode results. . . . .	28
6.1	Fault - Loss of Counts. . . . .	31
6.2	Fault - Over Range. . . . .	32
6.3	Fault - Overload. . . . .	32
6.4	Fault - Calibration Expired. . . . .	33
6.5	Fault - Date Reset. . . . .	33
6.6	Fault - Defaults Loaded. . . . .	33
7.1	Button Press . . . . .	36
7.2	Menu Short Cut . . . . .	36
7.3	Setup - DIP switch protection enabled. . . . .	38
7.4	Setup Group - Detector. . . . .	40
7.5	Setup Group - Channel 1. . . . .	42
7.6	Setup Group - Display Unit 1. . . . .	45
7.7	Setup Group - Display Unit 2. . . . .	49
7.8	Setup Group - Instrument. . . . .	51
7.9	Setup Group - Real Time Clock. . . . .	54



# LIST OF TABLES

2.1	.....	13
5.1	COUNT mode uits .....	27
7.1	Display Unit RATE/MAX Minimum Values .....	46
7.2	Display Unit RATE/MAX Maximum Values .....	47
7.3	Display Unit Count Minimum Values .....	48
7.4	Display Unit Count Maximum Values .....	48
8.1	Features That Affect Units in All Modes .....	58
9.1	Instrument Display Range .....	63
9.2	Auto Response Times (in seconds) .....	64



## INTRODUCTION

The Model 30 Series is a versatile instrument that can be powered from internal batteries or the included vehicle powered shoe mount. This instrument is used with an external detector for alpha, beta, gamma or neutron radiation survey.

Three modes of operation are available for the Model 30 Series - **RATE**, **MAX** rate, and **COUNT**.

- **RATE** mode operation will display the current count, exposure, or activity rate.
- **MAX** rate mode is used to capture the highest count, activity, or exposure rate detected. MAX mode is useful for finding a peak rate or frisking when the display is not visible.
- **COUNT** mode allows the user to perform a count for a predetermined time. Depending on the units chosen, the result can be a scaler count, a time-averaged rate, a time-averaged exposure or dose, or an integrated exposure or dose.

Two sets of display units can be configured for RATE/MAX mode and COUNT mode. The user can switch between these by simply pressing the Units button. Available units for each mode are:

- **RATE/MAX:** cps, cpm, Bq, dpm, rem/h, R/h, or Sv/h
- **COUNT:** cps, cpm, c (counts), Bq, dpm, d (disintegration), rem/h, rem, R/h, R, Sv/h, or Sv

The instrument features a large LCD (liquid crystal display), automatic backlight, audio warning, and intuitive operation. The instrument housing is made of lightweight but durable plastic. The instrument has an IP (Ingress Protection) rating of 52 and is splash resistant when the audio hole seal option is installed (P/N: 4498-913).

An internal switch is used to enable or disable the front-panel setup feature to protect desired settings from inadvertent modification. Setup is also available via Ludlum's Lumatic Calibration Software.





## FEATURES

**HV Range:** 300-2000 Vdc

**Threshold:** 2-200 mVdc (calibrated range)

**Fault Detection:**

- Overload Protection
- Loss of Count Protection
- Over Range
- Calibration Expiration Lockout

**LCD Display:** 3-digit with 13.4 mm (0.53 in.) digits

**Available Display Range:** auto-ranging, maximum and minimum display can be set to limit display to calibrated range.

Table 2.1

Unit	Range	Rate Mode	Count Mode
R/h	0.00 $\mu$ - 999	x	x
Sv/h	0.00 $\mu$ - 999	x	x
rem/h	0.00 $\mu$ - 999	x	x
R	0.00 $\mu$ - 999		x
Sv	0.00 $\mu$ - 999		x
rem	0.00 $\mu$ - 999		x
cpm	0.00 - 999 k	x	x
cps	0.00 - 999 k	x	x
c (counts)	0.00 - 999 k		x
Bq	0.00 - 999 k	x	x
dpm	0.00 - 999 k	x	x
d (disintegration)	0.00 - 999 k		x

(x indicates if the unit is available in a certain Mode)

**Alerts and Alarms:** count rate, exposure/dose, and count alarm set points are adjustable over the display range

**On Device Setup:** check or configure primary operating parameters without the need of a computer

**Neutron Detector Check:** precheck to force instrument to measure counts from a neutron detector at background levels to determine if the detector is functional

**Backlight:** low-power LED display illumination

**Ambient Light Sensor:** automatically turns on backlight and varies status LED intensity

**Response Time:** programmable to fixed fast (4 s), fixed slow (22 s), auto fast, auto slow, or user defined (0-60 s)

**Audio:** greater than 75 dB at 0.6 m (2 ft), approximately 4 kHz

**Battery Power:** two alkaline or rechargeable "AAA" (does not support in-device charging)

**Battery Life:** approximately 100 hours of operation, 24-hour low-battery warning

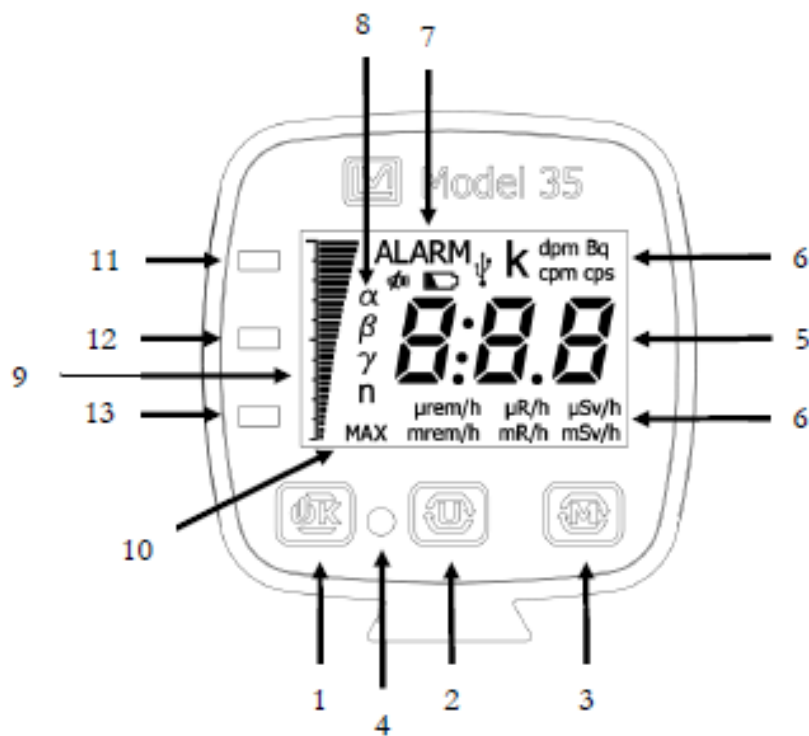
**Construction:** high-impact plastic with water-resistant rubber seals and separate battery compartment

**Environmental Rating:** NEMA (National Electrical Manufacturers Association) rating of 3x or IP (Ingress Protection) rating of 52 with audio hole seal option

**Temperature Range:** -20 to 50 °C (-4 to 122 °F), may be certified for operation from -40 to 65 °C (-40 to 150 °F)

## QUICK REFERENCE

### 3.1 Instrument Front Diagram



#### LED Legend:

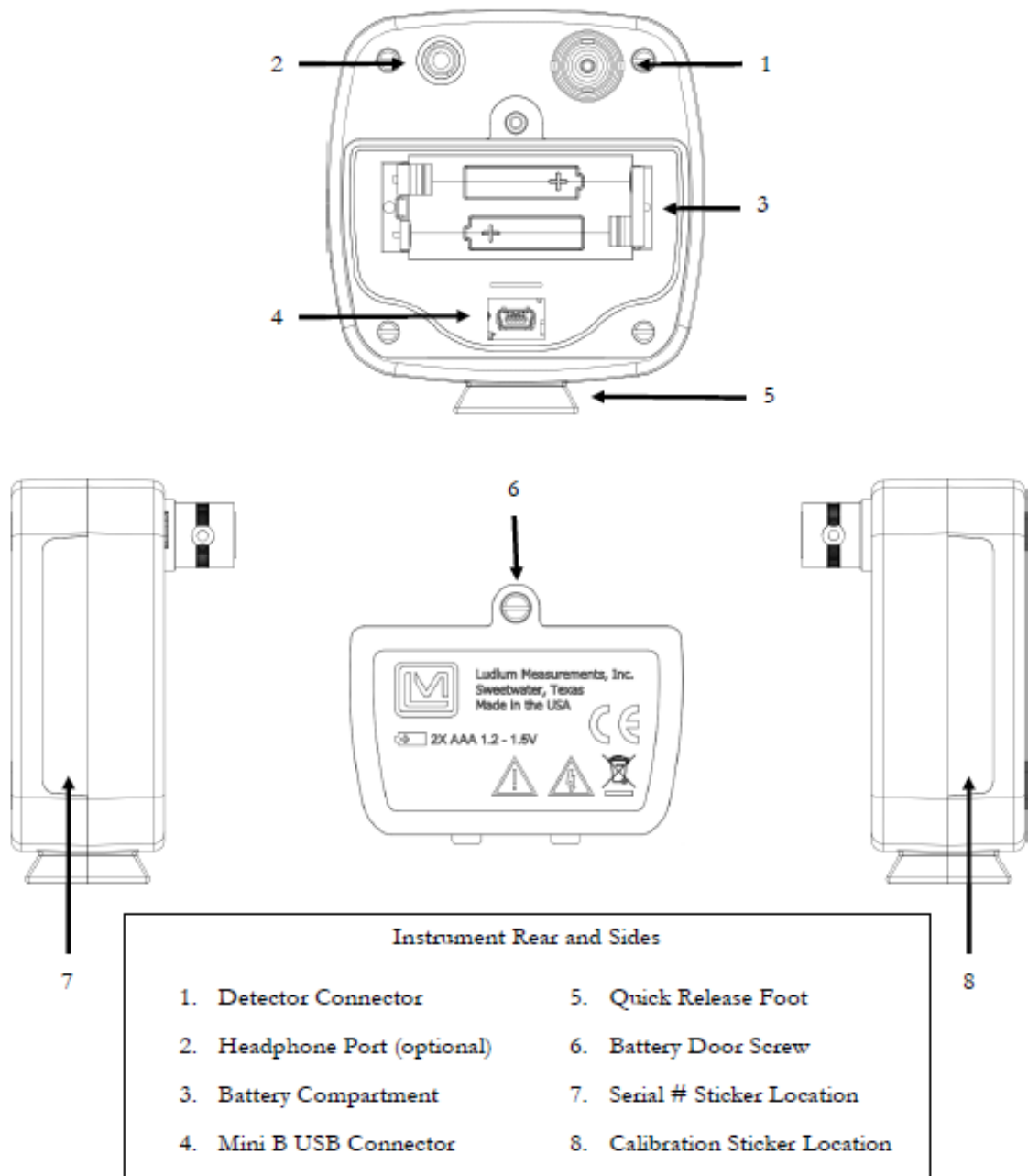


Used throughout manual

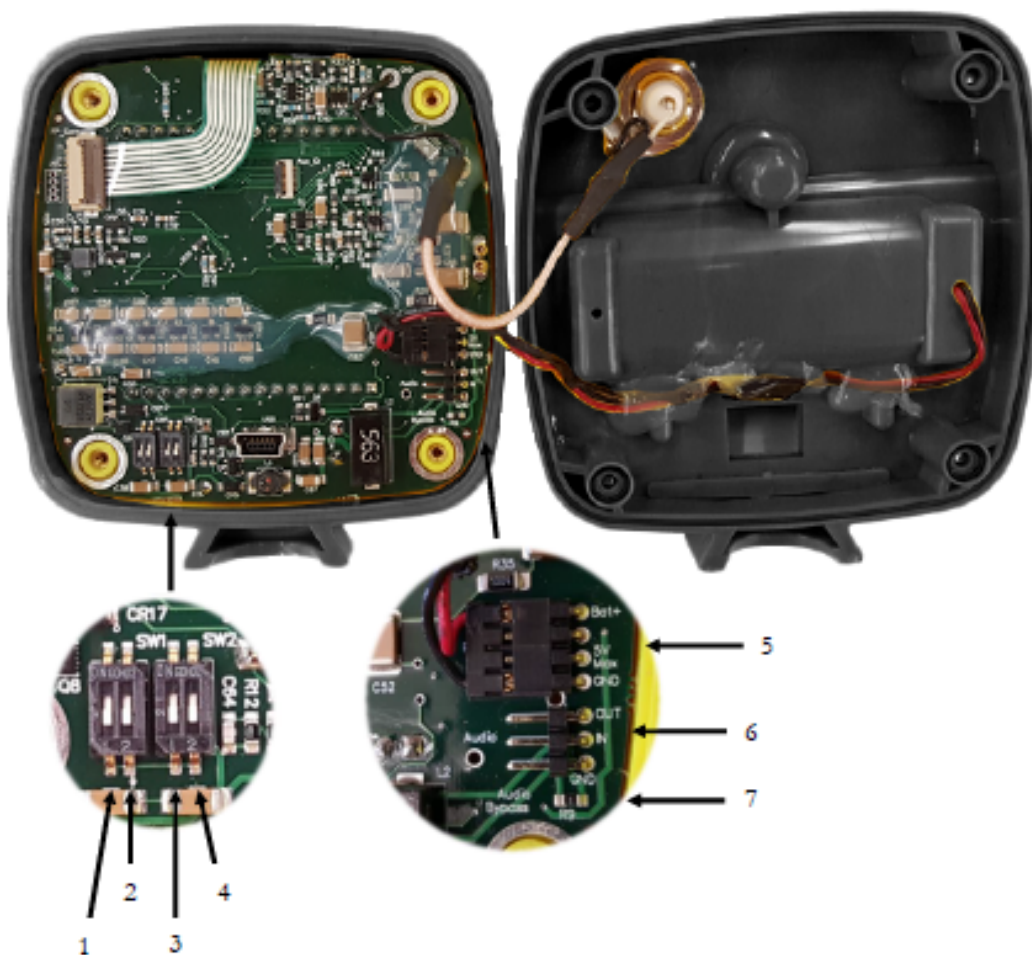
#### Front Display Components

1. On/OK Button
2. Units Button
3. Mode Button
4. Audio Vent
5. 3-Digit Display
6. Units Icons
7. Status Icons
8. User Selectable Icons
9. Linear Scale
10. Max Mode Icon
11. Alarm LED (Red)
12. Alert LED (Orange)
13. Nominal LED (Green)

## 3.2 Instrument Rear and Sides Diagram



### 3.3 Instrument Internal Diagram



Instrument Internal	
1. DIP Switch 1.1 (Calibration Protect)	5. Power Connector
2. DIP Switch 1.2 (Backlight On)	6. External Audio Connector
3. DIP Switch 2.1 (Calibration Expire)	7. External Audio Bypass Resistor
4. DIP Switch 2.2 (N/A)	



## GETTING STARTED

### 4.1 Unpacking and Repacking

Remove the calibration certificate and place it in a secure location. Remove the instrument and ensure that all of the items listed on the packing list are in the carton. Check individual item serial numbers and ensure calibration certificates match between instruments and detectors (if applicable). The serial number is located on the side of the unit.

To return an instrument for repair or calibration, provide sufficient packing material to prevent damage during shipment.

Every returned instrument must be accompanied by an Instrument Return Form, which can be downloaded from the Ludlum website at [www.ludlums.com](http://www.ludlums.com). Find the form by clicking the "Support" tab and selecting "Service Department" from the drop-down menu. Then choose the appropriate Service Department division where you will find a link to the form.

### 4.2 Battery Installation

A low-battery indicator appears on the top of the LCD when less than 24 hours of battery life remain. Follow these steps to replace the two standard AAA batteries:

1. Disconnect HV cable and remove from mount.
2. Turn the instrument over so that the back of the instrument is facing up.
3. Use a flat-bladed screwdriver to completely loosen the single captive screw on the battery cover.
4. Release and remove the battery cover.
5. Install two new AAA batteries following the symbols on the bottom of the battery compartment.
6. Replace the cover and tighten the screw.

### 4.3 Instrument Use and Controls

This instrument is simple and easy to use with minimal training required. The following describes the front-panel controls:



**OK button:** Used to power the instrument ON and OFF; toggle click audio, acknowledge audio alarms, reset MAX mode, and start/reset the COUNT timer.



**Unit button:** Cycles through configured display units.



**Mode button:** Cycles through operating modes in the following order: RATE, MAX, and COUNT. If a particular mode is disabled, it will be skipped. The device can be configured with only one enabled mode.

### 4.4 Turning the Instrument On and Off

To turn the instrument ON, momentarily press the OK button. Display should activate within moments.

To turn the instrument OFF, press and hold the OK button at any time. A countdown will start. Continue holding until the screen turns off.

### 4.5 Instrument Power ON Sequence

Turn the instrument ON by pressing the OK button momentarily, and then releasing.

The instrument will activate all of the LCD segments and the audio. Observe the device during this time. If any LCD segments are non-functioning, or audio fails to work, the device is in need of repair. (See the following figure.)



If alarm volume is set to zero, there will be no power on audio.



Figure 4.1: Startup display with all LCD segments shown.



The instrument displays the firmware version.



Figure 4.2: Firmware version display.

Next, the instrument will display the current battery voltage.



Figure 4.3: Battery voltage display.

The instrument will then move to normal operation.



## NORMAL OPERATION

Normal operation begins immediately after power-on sequence. The device will display unit 1 of the first enabled mode (Mode order: Rate, Max Rate, Count). If a fault condition is present, it will immediately change to the fault state as long as the fault is active.

### 5.1 Buttons



**OK:** The functionality of this button varies depending on the active mode. It is described with each mode below.



**UNIT:** The button will advance to the next display unit in the same mode if it is enabled.

**MODE:** In normal operation, this button will advance to the next enabled mode. (If the next mode is enabled but the unit is disabled, it will be skipped.)



- In RATE or MAX modes, performing a long press (press and hold for approximately 0.5 seconds) will toggle the response time between fixed fast and fixed slow or auto fast and auto slow. If user defined time is selected, this feature will be ignored.
- In COUNT mode, performing a long press (press and hold for approximately 0.5 seconds) will advance the COUNT time to the next available count time.

### 5.2 Status Icons



The Low Battery indicator turns on continuously when battery voltage is below 2.2 volts. The instrument is in critical battery voltage when the voltage falls below 1.8 volts. If the instrument is currently powered by batteries while in a critical battery state, the instrument will turn off while leaving the indicator flashing.



The USB indicator activates when a computer connects to the device.



The MUTE icon turns on when the click audio (or other activity indicating audio) is silenced by the user, the volume set to 0, or the current device state silences audio.



The ALARM icon flashes while in an alarm condition and when sigma audio is engaged only, not during an alert.

## 5.3 Display Units

A display unit is a set of the following settings:

### Rate/Max (shared)

- Unit
- Minimum Display Value
- Maximum Display Value
- Alert set point
- Alarm set point

### Count

- Unit
- Minimum Display Value
- Alert set point
- Alarm set point

This device has two sets of display units.

## 5.4 Alerts and Alarms

The radiation levels that activate an Alert or an Alarm are user-defined. This instrument has an alert and an alarm set-point for RATE/MAX mode and another set of set-points for COUNT mode per display unit.

An alarm has a higher priority than an alert. Acknowledging an alert will not cause acknowledgement of the alarm. Acknowledgement of an alarm will acknowledge an alert as well.

Both the alert and the alarm are automatically re-armed when the readings fall below their respective thresholds.



**OK button:** When a new alert and/or alarm is tripped, a press of the OK button will acknowledge the alert and/or alarm to silence the audio instead of the normal mode specific function.

- An ALERT will flash the orange LED and sound a tone. An alert can be silenced.
- An ALARM will flash the red LED, sound a tone, and flash the ALARM icon. An alarm can be silenced.
- A FORCED ALARM will activate when the reading exceeds the user configured maximum display. A forced alarm is similar to an ALARM with the addition of the maximum value or 888 flashing on the display. A FORCED ALARM CANNOT be silenced.



Figure 5.1: Alert example in rate mode.



Figure 5.2: Alarm example in rate mode.

## 5.5 RATE Mode

In RATE mode, the current count rate is displayed. The rate is averaged based on the response rate setting.



**OK button:** Toggles click audio (or other activity indicating audio). If there are alerts/alarms, the alert/alarm acknowledgement takes precedent and will register the button press instead (see Alerts and Alarms on page 24).



**MODE button:** A long press (0.5 seconds or more) will allow the instrument to toggle the response rate. The instrument can toggle between Auto-Fast and Auto-Slow or Fixed-Fast and Fixed-Slow. Within 2 seconds, the new response rate will be displayed on the screen. If the response time is user defined, a long press of the MODE button is ignored.



Alerts and Alarms are non-latching in RATE mode. They will clear automatically if the reading falls below the user-defined threshold.



Figure 5.3: RATE mode display.

## 5.6 MAX Mode

While in MAX mode, the highest detected count rate (since the last reset) is displayed. The MAX icon is displayed to indicate when in MAX mode.

MAX mode is always running in the background on power-up. While in other modes or units, the maximum rate encountered will be stored.



**OK button:** The first press of the button mutes click audio (or other activity audio). The second press of the button resets max value to zero and re-enables click audio. If there are alerts/alarms, the alert/alarm acknowledgement takes precedent and will register the button press instead (see Alerts and Alarms on page 24).



**MODE button:** A long press (0.5 seconds or more) will allow the instrument to toggle the response rate. The instrument can toggle between Auto-Fast and Auto-Slow or Fixed-Fast and Fixed-Slow. Within 2 seconds, the new response rate will be displayed on the screen. If the response time is user defined, a long press of the MODE button is ignored.



Alerts and alarms in MAX mode latch with the display



Figure 5.4: MAX mode display.

## 5.7 COUNT Mode

The purpose of COUNT mode is to count for a predetermined amount of time, and to show the results on the display. Note that the predetermined count time can be from 1 second to 3600 seconds, or can be set to zero to enable continuous counting until stopped by the user. The instrument is equipped with seven unique count times (one user defined time, 0 [continuous count], 6 seconds, 30 seconds, 60 seconds, 2 minutes, 5 minutes, and 10 minutes) that are selectable in COUNT mode by performing a long press (press and hold for approximately 0.5 seconds) of the MODE button.

Count mode operation is very flexible, depending on the units chosen. A common choice is for the count mode to perform a scaler count for a specified time, with a resulting answer in counts (equaling detected radiation events). If the count units chosen are cpm or cps, then the resulting answer is an averaged count rate over the time interval.

Other choices are to have count mode units of R/h, Sv/h or rem/h, in which case the COUNT mode results in a averaged exposure or dose rate. But if count mode units of R, Sv, or rem are chosen, the result is shown in accumulated exposure or accumulated dose over the chosen count time.

Activity measurements that utilize the efficiency parameter for 2pi, 4pi, etc. can also be selected. The Bq and dpm units will result in an average activity over the count time. The count (c) disintegrations (d) will sum the total activity (efficiency corrected) over the count time. The following table lists the possibilities:

Table 5.1: COUNT mode units

UNITS	RESULT
c	counts per count time
d	disintegrations per count time
cpm, cps	count rate, averaged over the count time
dpm, Bq	disintegration rate, averaged over the count time
R, Sv, rem	integrated exposure or dose over the count time
R/h, Sv/h, rem/h	exposure or dose rate, averaged over the count time

When entering COUNT mode or changing units within COUNT mode, the current display units will be displayed for approximately one second.



Figure 5.5: Entering COUNT mode from another mode or changing units within COUNT mode.

Count mode operates in the following states:

1. **Ready to count:** Count has been reset. Total count time is shown. Alerts/alarms are not armed.



Figure 5.6: COUNT mode ready to start.



A solid colon is in the m:ss format; a flashing colon is in the h:mm format.

2. **Counting:** Time remaining is shown and alerts/alarms are armed. If an alert/alarm level is reached while counting, the count value will alternate with the current reading. When count-down timer reaches 0, the device will automatically advance to the Results state.
3. **Results:** Results will be displayed when countdown is finished if count time is greater than 0. If count time is 0, this will show a live total/average (depending on the display units) until reset. Alerts/alarms are armed.



Figure 5.7: COUNT mode results.





**OK button:** The function of the OK button varies depending on the current state of count mode. If there are alerts/alarms, the alert/alarm acknowledgment takes precedent and will register the button press instead (see Alerts and Alarms on page 24).



**MODE button:** Prior to initiating a count, a long press (0.5 seconds or more) will allow the instrument to toggle through a list of available count times. The instrument is equipped with seven unique count times (one user defined time, 0 [continuous], 6 seconds, 30 seconds, 60 seconds, 2 minutes, 5 minutes, and 10 minutes). If the count is in progress or has concluded, a long press of the MODE button is ignored.

1. **Ready to count:** Starts counting. Automatically advances to Counting.
2. **Counting:** Resets count. Changes the state of count mode to ready to count.
3. **Results:** Clears results. Changes the state of count mode to ready to count.



Alerts and alarms are latching in COUNT mode.



Changing units will not affect state of COUNT mode. Click audio (or other activity audio) are muted in COUNT mode.



## FAULT DETECTION

### 6.1 Instrument Faults

This instrument has several faults it can report to the user. A fault is signified by flashing in order of the red, orange, and green LEDs in addition to a unique fault tone. The display will also cycle through the active faults.

If a fault cannot be acknowledged, the display will flash the fault code. If a fault can be acknowledged, the fault code will be solid.



**OK button:** Momentarily pressing the OK button will silence the tone and acknowledge the currently displayed fault if applicable.

If the cause of a fault condition is removed, the instrument will automatically clear the fault and continue normal operation.

#### 6.1.1 Detector Loss of Counts

If the detector stops detecting radiation for a settable number of seconds, the instrument will flash "LoC" or Loss of Counts. This indication is common if the unit is powered up without a detector connected. If this indication is observed with a connected detector, remove the unit from service and have it evaluated by a qualified repair and calibration technician.



Figure 6.1: Fault - Loss of Counts.

### 6.1.2 Detector Over Range

If the detector is exposed to high levels of radiation or has an internal malfunction that causes it to count beyond its count rate ability or dead time correction causes a math error, the unit flashes "or." The user should ensure whether a high radiation field, internal malfunction, or invalid settings are causing this fault by observing the instrument's behavior in a known radiation field.



Figure 6.2: Fault - Over Range.

### 6.1.3 Detector Overload

If a current overload threshold is enabled, the instrument can detect when there are some forms of detector failure, a cable failure, or a high level of radiation. In this event, the unit will flash "oL."



Figure 6.3: Fault - Overload.

### 6.1.4 Calibration Expiration

If the calibration expiration lockout is enabled, the instrument will flash "CAL" when calibration is past due.



DIP switch must be enabled. See Chapter 8, Calibration Lockout on page 58 for more information.



Figure 6.4: Fault - Calibration Expired.

### 6.1.5 Date (Real Time clock) Reset

If the calibration expiration is enabled, the instrument will display "dAt" if the internal clock has been reset. Software is required to reset the clock.



Figure 6.5: Fault - Date Reset.

### 6.1.6 Defaults Loaded

If the device settings become corrupted due to firmware updates, memory failure, or software clearing, the device will solidly display or flash "dEF" (depending on which settings invalid) to indicate that at least some settings are running on firmware default values. If the display is solid, the fault can be acknowledged and the device will continue to run. In either case, a professional should review calibration and other settings.



Figure 6.6: Fault - Defaults Loaded.



## CONFIGURATION



Only advanced users or administrators should consider changing any of the parameters in the following section. Incorrect settings could jeopardize the safety of users depending on this instrument.

Your instrument has been shipped from Ludlum Measurements only after passing electronic checkout, a 24-hour burn-in process, and a careful calibration process. Calibration papers are supplied with each instrument shipped from Ludlum Measurements.

Recalibration should be accomplished after maintenance or adjustments have been performed on the instrument. Recalibration is not normally required following instrument cleaning or battery replacement. Recalibration does not typically require any special tools or software to perform.

Ludlum Measurements offers a full-service repair and calibration department. Not only do we repair and calibrate our own instruments, we also service most other manufacturers' instruments. Calibration procedures are available upon request for customers who choose to calibrate their own instruments.



Ludlum Measurements, Inc. recommends recalibration at intervals no greater than one year, assuming that regular operational checks are performed. Check the appropriate local, state, and federal regulations to determine required recalibration intervals.

### 7.1 Setup Overview

This instrument features an on-device setup menu that can be accessed to view or modify the primary operational settings. These settings are detailed below.

Further settings are accessible through the Lumeric Calibration software available from Ludlum Measurements, Inc.

There are also four DIP switches on the instrument. Their functionality is described at the end of this section

## 7.2 Setup Menu Introduction

The on device setup menu allows configuration through the three buttons on the front of the device. Some setup functions require two types of button presses. A “**regular**” (short) press is the normal momentary **press and release** of the button. A “**long**” press is a **press and hold** for approximately **one second** before releasing. A short button press can be identified by a dot next to the button icon (See figure 7.1a) A long button press can be identified by a dash next to the button icon (See figure 7.1b)



(a) Short Button Press



(b) Long Button Press

Figure 7.1: Button Press

## 7.3 Entering Setup Menu

To enter the setup menu:

1. Power down the instrument.
2. Turn the instrument back on.
3. Following the display of the battery voltage, when the instrument has begun normal operation, press the **MODE** button three times (within four seconds) to enter the **setup menu**.

Entry to the **setup menu** can be confirmed when the display shows “dEt”, indicating the first setup group is selected.

## 7.4 Entering Setup Menu (Alternative)

This device can be configured to quickly enter the setup menu. Lumic Calibration software is required to enable this feature, but once the “Setup Menu Shortcut” is enabled, it can be accessed at any time.

To enter setup mode through the quick access method, long press the **UNIT** and **MODE** buttons (see figure 7.2). The last accessed setup group will be displayed. All other functions of setup mode will be normal.

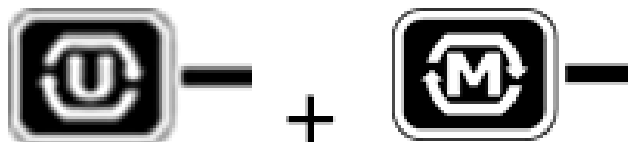


Figure 7.2: Menu Short Cut





Quick access to setup mode is not available while in any fault condition.

## 7.5 Exit Setup Mode

There are two ways to exit setup mode.

1. Long press **UNIT** button to exit from page selection. **Changes are saved in non-volatile memory.**
2. Power off device by holding **OK** button until power-off countdown finishes. **Changes are NOT saved to non-volatile memory.**



When viewing a page, two long presses of the UNIT button are needed to exit the setup menu.

## 7.6 Setup Mode Operation

The setup menu is arranged into two levels - **groups** and **pages**. Each group contains several related pages. Each page controls a particular setting.



While in the **group** selection level, the bar graph displays a tick mark for every **page** in the group. When in a **page**, the bar graph flashes the segment that corresponds to the page's location in the group.

Button Functions at **group** level:



**UNIT button:** Enter **page** selection on the current **group**.



**MODE button:** Advance to next **group**.



**LONG UNIT:** Exit setup menu. **Any changes will be saved.**

Button Functions at **page** level:



**UNIT:** Advance to next **page** within current **group**.



**MODE:** Modify the selected position (digits, etc.). **If the PROTECT DIP switch is enabled, (See DIP Switches on page 54), this is not allowed. A "dIP" message will briefly appear to indicate this. (See figure below.)**



**OK:** Select the next position on the current **page**.



**LONG UNIT:** Exit page. Return to **group** selection.



Figure 7.3: Setup - DIP switch protection enabled.

## 7.7 Setup Menus

### 7.7.1 Menu Map

Detector - "dEt"

1. HV
2. Current Overload
3. Response Time/Auto Response Rate
4. User Defined Count Time
5. Enabled Modes
6. Audio Divide

Channel 1 - "Ch1"

1. Cal Constant Mantissa

2. Cal Constant Exponent
3. DTC1
4. DTC2 Mantissa
5. DTC2 Exponent
6. Threshold
7. Loss of Count Time

#### Unit 1 - "U-1"

1. Rate Unit and Minimum Display Exponent
2. Rate Maximum Display Exponent
3. Rate/Max Alert
4. Rate/Max Alarm
5. Count Unit and Minimum Display Exponent
6. Count Alert
7. Count Alarm
8. Icon

#### Unit 2 - "U-2"

1. Rate Unit and Minimum Display Exponent
2. Rate Maximum Display Exponent
3. Rate/Max Alert
4. Rate/Max Alarm
5. Count Unit and Minimum Display Exponent
6. Count Alert
7. Count Alarm
8. Icon

#### Instrument - "InS"

1. Audio Mode

2. Audio Volume
3. Automatic Shutdown Time
4. Green LED
5. Detector Check Enable
6. Detector Check High Voltage
7. Detector Check Count Time
8. Detector Check Pass Counts

Real Time Clock - "rtc"

1. Month
2. Day
3. Year
4. Hour
5. Minute
6. Second

### 7.7.2 Setup Group (dEt) - Detector



Figure 7.4: Setup Group - Detector.

**High Voltage** - Controls the operating voltage of the detector. Value is in volts.

Configurable positions are:

- Ones Place (0-9)
- Tens Place (0-9)
- Hundreds Place (0-9)

- k Multiplier (on/off)

**Range:** 300-2000 V



The k multiplier also activates left-most decimal point. If the k multiplier is used, the Hundreds Place value is limited to 0 and 1 (showing thousands value)

**Detector Current Overload Threshold** - Defines the current limit of the detector. If the detector pulls more current from the high voltage, the over-current fault is activated. Setting the detector current overload threshold to 0 disables the current overload fault.

Configurable positions are:

- Ones Place (0-9)
- Tens Place (0-9)
- Hundreds Place (0-9)
- Decimal (right most on/off)

**Range:** 00.0-999  $\mu$ A



Long-pressing the MODE button will toggle to live value display. Long-press MODE button again to return threshold setting.

**Response Time** - The response time can be fixed, or it can operate in one of two auto modes.

When operating in fixed response mode, response time is a very predictable response. Setting the Response Time to a fixed value is useful primarily when performing surveys to a fixed MDA (Minimum Detectable Activity) level.

When operating in Auto-Response mode, the instrument will vary the Response Time based on the Auto-Response Rate selected (Fast or Slow) and the current Count Rate. When the instrument detects a sudden change in count rate from the detector, the response time is reduced to 1 second to quickly show the new value.

If all characters are flashing, the mode is being selected. The mode must be changed to fixed (all numbers flashing) before fixed time can be set. Once fixed mode is selected, pressing the OK button will allow for normal digit selection.

Configurable positions are:

- Modes (F[ixed]-F[ast], F[ixed]-S[low], A[uto]-F, and A[uto]-S)
- Ones Place (0-9)

- Tens Place (0-6, 6 forces max Response Time of 60)

**Range:** Auto or Fixed Fast and Slow, or 0-60

**User Defined Count Time** - Defines the user configurable count time of the COUNT mode in seconds. Setting Count Time to 0 enables continuous count until reset.

Configurable positions are:

- Ones Place (0-9)
- Tens Place (0-9)
- Hundreds Place (0-9)

**Range:** 0-3600

**Operational Modes** - Defines modes enabled for the detector. The leftmost character "r" signifies RATE mode, the "MAX" icon signifies MAX mode, and the rightmost character "c" signifies COUNT mode. If the character/icon is flashing, the mode will be available. If it is not flashing, the mode is disabled.

Configurable positions are:

- Mode

**Range:** Any combination

**Audio Divide** - Defines the audio divide associated with the click audio. For example, an Audio Divide of 100 will result in one audio click being emitted for every 100 pulses detected. Note: Audio is enabled for this menu item to allow the user to hear the effects of adjusting this value while the detector (or a pulser) is connected.

Configurable positions are:

- Audio Divide 1, 10, 100, and 1.00k

### 7.7.3 Setup Group (Ch1) Channel 1



Figure 7.5: Setup Group - Channel 1.

**Calibration Constant Mantissa** - Value is used with Calibration Constant Exponent to express counts per R. This setting is only used if a display unit of R, R/h, Sv, Sv/h, rem, or rem/h are selected. This is the decimal portion of the value.

Configurable positions are:

- Ones Place (0-9)
- Tens Place (0-9)
- Hundreds Place (0-9)

**Combined Range of Calibration Constant Mantissa and Exponent:** 100E0-999E10



It may be possible to input 010 or some number less than 100, and then change the exponent to 00. The instrument will automatically correct this to 100E00.

**Calibration Constant Exponent** - Value is used with Calibration Constant Mantissa to express counts per R. This setting is only used if a display unit of R, R/h, Sv, Sv/h, or rem, rem/h is selected. This is the exponential portion of the value. An "E" is always visible on the left-most character (not flashing) to help signify this is the exponent.

Configurable positions are:

- Exponent (0-10)

**Range:** See Calibration Constant Mantissa

**Dead Time Correction** - This parameter is used to correct for dead time in the detector. Value is in microseconds ( $\mu\text{s}$ ). Correction is disabled if value is set to 0 (see Dead Time Correction on page 57.)

Configurable positions are:

- Ones Place (0-9)
- Tens Place (0-9)
- Hundreds Place (0-9)
- Decimal Place (rightmost on/off)

**Range:** 00.0-999  $\mu\text{s}$



This should be disabled when checking instrument with pulser or function generator; otherwise, higher count rates will result in non-linearities.

**Second Order Dead Time Correction Mantissa** - Value is used with Second Order Dead Time Correction Exponent to provide a second order linearization in extremely high fields. Correction is disabled if value is set to 0 (see Dead Time Correction on page 57).

Configurable positions are:

- Ones Place (0-9)
- Tens Place (0-9)
- Hundreds Place (0-9)

**Combined Range of Second Order Dead Time Correction Mantissa and Exponent:** 000E-12 - 999E-6



This should be set disabled when checking instrument with pulser or function generator; otherwise, higher count rates will result in non-linearities.

**Second Order Dead Time Correction Exponent** - Value is used with Second Order Dead Time Correction Mantissa to provide a second order linearization in high fields. An "-" is always visible on the leftmost character (not flashing) to help signify this is a negative exponent (see Dead Time Correction on page 57).

Configurable positions are:

- Exponent (-6 to -12)

**Range:** See Second Order Dead Time Correction Mantissa

**Efficiency** - Defines the efficiency of the detector. Value is only used when the selected display units are dpm, Bq, or disintegrations. Units are in percentage.

Normally the efficiency is used on a per detector basis or 4pi basis, i.e. the efficiency of the detector is calculated by dividing the count rate received from a source by the total disintegration rate of the source. When either dpm or Bq units are chosen, the use of the 4pi efficiency allows the display of the source size or activity on the display.

But if the user desires to have the instrument show results in terms of dpm/100 cm<sup>2</sup>, the user could manipulate the efficiency to produce this result by multiplying the efficiency times the ratio of the detector area to 100 cm<sup>2</sup>. For example, using a detector with an area of 15 cm<sup>2</sup>, if we start with the 10% efficiency to measure in dpm, then the parameter could be changed to 1.5% to measure in dpm/100 cm<sup>2</sup>.

Or likewise for Bq/cm<sup>2</sup>, efficiency could be calculated as efficiency + count rate/disintegration rate\*detector area (in cm<sup>2</sup>). For example, with the same detector as above with an area of 15 cm<sup>2</sup>, and starting with an efficiency value of 10%, then the parameter could be changed to 150% to measure in Bq/cm<sup>2</sup>.



Configurable positions are:

- Ones Place (0-9)
- Tens Place (0-9)
- Hundreds Place (0-9)
- Number of Decimal Place (0 or 1)

**Range:** 00.1 to 999%

**Discriminator Threshold** - Defines the discriminator threshold voltage for counting. Pulses above this level will be counted. Value is represented in mV. Configurable positions are:

- Ones Place (0-9)
- Tens Place (0-9)
- Hundreds Place (0-9)
- Decimal (0, 1, or 2)

**Range:** 0.00 to 500 mV

**Loss of Count Alarm Time** - Defines the amount of time with no counts that can lapse before the loss of count fault is activated. Setting the Loss of Count Alarm Time to 0 disables the fault. Value is in seconds. Configurable positions are:

- Ones Place (0-9)
- Tens Place (0-9)
- Hundreds Place (0-9)
- Decimal (0 or 2)

**Range:** 000 to 9.99 ks

#### 7.7.4 Setup Group (U-1) - Display Unit



Figure 7.6: Setup Group - Display Unit 1.

**Display Unit 1 RATE/MAX Units and Minimum Display** - Sets the unit for RATE and MAX modes, as well as the minimum displayable value (see Units on page 57). Since the range for minimum display is dependent on the units, the setting is broken into two parts.

The first portion that can be modified is the unit. While selecting the unit, the unit will be the only thing on the screen.

Changing to the next portion (pressing the OK button) will show the unit as well as 000 with a possible decimal point and a possible prefix on the unit. Modifying the position (pressing the MODE button) will cycle through all available decimal positions and prefixes.

Configurable positions are:

- Units (R/h, Sv/h, dpm, Bq, cpm, cps, rem/h)
- Decimal point and prefix (see the following table)

Table 7.1: Display Unit RATE/MAX Minimum Values

Units	Available decimal points/prefix combinations		
R/h	0.00μ	00.0μ	000μ
Sv/h	0.00m	00.0m	000m
rem/h	0.00	00.0	000
dpm Bq	0.00	00.0	000
cpm cps	0.00k	00.0k	000k

**Display Unit 1 RATE/MAX Maximum Display** - This determines the maximum displayable value for the display unit 1 or RATE mode and MAX mode. If the calculated value is higher than this, this value will flash and a forced alarm will activate. The unit will be the same as selected minimum display unit.

Configurable positions are:

- Ones Place (0-9)
- Tens Place (0-9)
- Hundreds Place (0-9)
- Decimal Point and Prefix (see the following table)



Range must provide at least two orders of magnitude between minimum and maximum value.

**Display Unit 1 RATE/MAX Mode Alert Point** - Defines the value of the display unit 1 in RATE or MAX modes. When this level is exceeded, the yellow LED will be on and alert tone will sound.

Table 7.2: Display Unit RATE/MAX Maximum Values

Units	Available decimal points/prefix combinations		
R/h	X.XX $\mu$	XX.X $\mu$	XXX $\mu$
Sv/h	X.XX m	XX.X m	XXX m
rem/h	X.XX	XX.X	XXX
dpm Bq	X.XX	XX.X	XXX
cpm cps	X.XX k	XX.X k	XXX k

X's can be replaced with any number for 0 to 9.

This value should be above the minimum display value and below the maximum display value. If an alarm is also enabled, the alert level should be below the alarm level. Set this to 000 to disable.

Configurable positions are:

- Ones Place (0-9)
- Tens Place (0-9)
- Hundreds Place (0-9)
- Decimal Point and Prefix (see previous table)

**Display Unit 1 RATE/MAX Mode Alarm Point** - Defines the value of the display unit 1 alarm in RATE or MAX modes. When this level is exceeded, the red LED will flash, an alarm tone will sound, and the ALARM icon will flash.

This value should be above the minimum display value and below the maximum display value. If an alert is also enabled, the alarm level should be above the alert level. Set this to 000 to disable.

Configurable positions are:

- Ones Place (0-9)
- Tens Place (0-9)
- Hundreds Place (0-9)
- Decimal Point and Prefix (see previous table)

**Display Unit 1 Count Units and Minimum Display** - Sets the unit for COUNT mode as well as the minimum displayable value (see Units on page 57). Since the range for minimum display is dependent on the units, the setting is broken into two parts.

The first position that can be modified is the unit. While selecting the unit, the unit will be the only thing on the screen.

Changing the next position will show the unit as well as 000 with a possible decimal point and a possible prefix on the unit. Modifying this position will cycle through all available decimal positions and prefixes.

Configurable positions are:

- Units (R/h, R, Sv/h, Sv, dpm, Bq, d, cpm, cps, c, rem/h, rem)
- Decimal Point and Prefix (see following table)

Table 7.3: Display Unit Count Minimum Values

Units	Available decimal points/ prefix combinations		
	R/h, Sv/h, rem/h, R, Sv, rem	0.00 $\mu$	00.0 $\mu$
0.00m		00.0m	000m
0.00		00.0	000
dpm, Bq, cpm, cps, disintegrations, counts	0.00	00.0	000
	0.00k	00.0k	000k

**Display Unit 1 Count Alert Point** - Defines the value of the display unit 1 alert in COUNT mode. When this level is exceeded, the yellow LED will be on and alert tone will sound.

This value should be above the minimum display value. If an alarm is also enabled, the alert level should be below the alarm level. Set this to 000 to disable.

Configurable positions are:

- Ones Place (0-9)
- Tens Place (0-9)
- Hundreds Place (0-9)
- Decimal Point and Prefix (see following table)

Table 7.4: Display Unit Count Maximum Values

Units	Available decimal points/ prefix combinations		
	R/h, Sv/h, rem/h, R, Sv, rem	X.XX $\mu$	XX.X $\mu$
X.XXm		XX.Xm	XXXm
X.XX		XX.X	XXX
dpm, Bq, cpm, cps, disintegrations, counts	X.XX	XX.X	XXX
	X.XXk	XX.Xk	XXXk

**Display Unit 1 Count Alarm Point** - Defines the value of the display unit 1 alarm in COUNT mode. When this level is exceeded, the red LED will be on, an alarm tone will sound, and the ALARM symbol will flash.

This value should be above the minimum display value. If an alert is also enabled, the alarm level should be above the alert level. Set this to 000 to disable.

Configurable positions are:

- Ones Place (0-9)
- Tens Place (0-9)
- Hundreds Place (0-9)
- Decimal Point and Prefix (see previous table)

**Display Unit Radiation Icon** - Configures the radiation icon that will be active when display unit 1 is selected. This setting has no other effect.

Configurable positions are:

- Icon (Off,  $\alpha$ ,  $\beta$ ,  $\gamma$ , n,  $\alpha\beta$ ,  $\alpha\gamma$ ,  $\beta\gamma$ ,  $\alpha\beta\gamma$ ,  $\alpha n$ ,  $\beta n$ ,  $\gamma n$ ,  $\alpha\beta n$ ,  $\alpha\gamma n$ ,  $\beta\gamma n$ ,  $\alpha\beta\gamma n$ )



When the radiation icon is set for gamma ( $\gamma$ ), X-rays will also be measured when that icon is illuminated.

### 7.7.5 Setup Group (U-2) - Display Unit 2



Figure 7.7: Setup Group - Display Unit 2.

**Display Unit 2 RATE/MAX Units and Minimum Display** - See Display Unit 1 RATE/MAX Units and Minimum Display. This has all the same options with one addition. Unit positions can also be "OFF."



If this unit is turned off, the next page will be Display Unit 2 Count Units and Minimum Display.

**Display Unit 2 RATE/MAX Maximum Display** - See Display Unit 1 RATE/MAX Maximum Display.



If Display Unit 2 RATE/MAX unit is set to "oFF," this setting will be skipped.

**Display Unit 2 RATE/MAX Mode Alert Point** - See Display Unit 1 RATE/MAX Mode Alert Point.



If Display Unit 2 RATE/MAX unit is set to "oFF," this setting will be skipped.

**Display Unit 2 RATE/MAX Mode Alarm Point** - See Display Unit 1 RATE/MAX Mode Alarm Point.



If Display Unit 2 RATE/MAX unit is set to "oFF," this setting will be skipped.

**Display Unit 2 Count Units and Minimum Display** - See Display Unit 1 COUNT Units and Minimum Display. This has all the same options with one addition. Unit positions can also be "oFF."



If this unit is turned off, the next page will be Display Unit 2 Radiation Icon.

**Display Unit 2 Count Alert Point** - See Display Unit 1 Count Alert Point.



If Display Unit 2 Count unit is set to "oFF," this setting will be skipped.

**Display Unit 2 Count Alarm Point** - See Display Unit 1 Count Alarm Point.



If Display Unit 2 Count unit is set to "oFF," this setting will be skipped.

**Display Unit 2 Radiation Icon** - See Display Unit 1 Radiation Icon.

### 7.7.6 Setup Group (InS) - Instrument



Figure 7.8: Setup Group - Instrument.

**Audio Mode** - Defines the enabled activity audio mode. This instrument has three audio modes to choose from.

- "cLc" - Standard click audio. This mode will produce a cluck for every detected pulse. If pulses are too fast, this can become a solid tone. Click audio is best for continuous feedback.
- "SIG" - Sigma audio. Sigma audio takes a baseline reading at startup. If any subsequent readings are one sigma above the baseline, a steady pulse pattern will be heard. The baseline can be taken if the OK button is pressed long enough for the shutdown countdown to start. As soon as the shutdown countdown begins, the OK button can be released and a new baseline reading will be taken. Sigma audio is best for finding low-level increases from background radiation typically used with more sensitive scintillator detectors.
- "F d" - Floating Delta. In this audio mode, the immediate reading is compared to the running average. The running average is controlled by the response time. If the immediate value is above or below n sigma (n is settable by software) from the average, a pulse will be heard. Floating delta is best for finding changes, increases, or decreases from existing readings.

Configurable positions are:

- Modes: ("cLc," "SIG," "F d")

**Audio Volume** - Simultaneously sets the audio volume of click audio (or other activity audio) and alert/alarm volume. 0 mutes click and alert/alarm (see Audio on page 59).

Configurable positions are:

- Volume (0, 1, 2, 3)



Activity audio and alert/alarm audio are available as separate settings via software. Modifying the settings here will force them to the same value.

**Shutdown delay on transition to external power** - Determines the length of time before the instrument turns off when external power is removed. Time is in seconds.

This setting is intended only for use when the instrument will primarily be used with external power. If the external power is frequently turned on and off in a vehicle for example, the instrument may need to auto-power off to conserve internal battery power.

A delay can be configured in the event engine cranking of the vehicle temporarily causes the voltage to sag far enough that the instrument thinks power has been removed. This can prevent unintentional power-off of the instrument.

A "—" message means the auto-power off delay feature is disabled and the instrument will remain on when external power is removed.

Each digit can advance to the "—" state.

Configurable positions are:

- Ones (0-9, and "—")
- Tens (0-6, and "—")

**Range:** 0-60 s or disabled

**Green LED Mode** - This setting controls the behavior of the green LED on the front panel of the instrument. Typically, the green LED will be configured for always off to conserve battery power. However, if a very simple, safe, marginal, and dangerous indicator is desired, the green LED can be used in conjunction with the alert and alarm levels to provide this functionality.

There are three states it can be activated - on, off, and blink. Blink mode is intended to mitigate the battery life problem while still providing a simple interface.

The green LED states can also be varied on the current power source.

- "oFF" - Off all the time
- "on" - on all the time
- "bL" - blink all the time
- "E:on" - on while powered externally
- "E:bL" - blink while powered externally
- "I:on" - on while powered internally



- "I:bL" - blink while powered internally
- "E:Ib" - on while powered externally, blink while powered internally

Configurable positions are:

Modes: ("oFF," "on," "bL," "E:on," "I:on," "I:bL," and "E:Ib")

**Detector Check Enable** - This setting enables or disables the neutron detector check feature.

- "oFF" - Detector check disabled
- "on" - Detector check enabled

**Detector Check High Voltage** - This setting controls the high voltage used during the detector check feature. The value is in volts.

Configurable positions are:

- Ones Place (0-9)
- Tens Place (0-9)
- Hundreds Place (0-9)
- k Multiplier (on/off)

**Range:** 300-2000 V

**Detector Check Count Time** - This setting controls the count time for the detector check feature. The value is in seconds.

Configurable positions are:

- Ones Place (0-9)
- Tens Place (0-6)

**Range:** 1-60 seconds

**Detector Check Pass Counts** - This setting sets the pass count for the detector check feature. The value is in counts.

Configurable positions are:

- Ones Place (0-9)
- Tens Place (0-9)

- Hundreds Place (0-9)

**Range:** 000 - 999 counts

### 7.7.7 Setup Group (rtc) - Real Time Clock



Figure 7.9: Setup Group - Real Time Clock.

**Month** - Only view the current month setting in the device clock.

**Day** - Only view the current day setting in device clock.

**Year** - Only view the current year setting in device clock.

**Hour** - Only view the current hour setting in device clock.

**Minute** - Only view the current minute setting in device clock.

**Second** - Only view the current second setting in device clock.

## 7.8 DIP Switches

DIP switches are located inside the instrument on the mother board. The switches are in the "on" position when they are switched towards the "ON" lettering printed on the face of the switch (towards the top of the instrument). With the switches at the bottom left of the board, the order from left to right is SW1.1, SW1.2, SW2.1, and SW2.2.

Dip Switches control the following:

**SW1.1 - Cal Protect:** Protects calibration from changes in the device setup menu. Values can still be viewed, but an attempt to modify these settings will cause the device to briefly show a "dIP" message (see Figure 7.3)

**SW1.2 - Backlight Always On:** Forces the backlight into the always-on state and will no longer turn off under bright ambient lighting conditions. This will significantly reduce battery life.

**SW2.1 - Cal Expire Timer:** Enables calibration expiration timer feature (see Calibration Expiration Lockout on page 58). The due date for the calibration can be programmed through software. When the due date has passed, the device will lock out of normal operation if this

is enabled. Software will be required to reset the calibration expiration date. This causes the "CAL" fault (see Figure 6.5).

**SW2.2 - N/A:** Reserved for future use.



## ADVANCED FEATURES

### 8.1 Dead Time Correction

All pulse counting detectors have a "dead time" in which the detector is unable to register another event. In relatively low fields this is not an issue. However, as the field strength approaches the high end of the detector's range, dead time causes the pulse rate to become non-linear with respect to the real radiation field. Dead time correction is used to linearize the measurements, allowing a wider linear response range for a given detector.

This instrument uses a second order dead time correction using the below equation:

$$rate_c = rate_m / [1 - (DTC_1 * rate_m) + (DTC_2 * rate_m^2)]$$

Where  $DTC_1$  and  $DTC_2$  are the dead time correction coefficients,  $rate_m$  is the measured count rate, and  $rate_c$  is the corrected rate.

Dead time correction coefficients are configured through the device setup menu or through Lumic Calibration software. Lumic Calibration software also includes a wizard that will automate finding and setting the correct coefficients.

$DTC_1$  is represented in microseconds ( $\mu$ s) on the device setup menu and in the software. The equation must be calculated in terms of seconds (s) and must be scaled appropriately.  $DTC_2$  has more complex units and are not shown. However, the representation of the coefficient on the setup menu and in software do not require scaling.



Setting the  $DTC_2$  to zero will disable the second order correction, while setting  $DTC_1$  to zero will disable both, regardless of the value of  $DTC_2$ .

### 8.2 Units

Depending on the chosen display units, different features will affect value of the reading. The following table lists the features that apply to each of the display units.

Table 8.1: Features That Affect Units in All Modes

UNITS	Feature
cpm, cps, counts	Deadtime Correction
Bq, dpm, disintegrations	Dead Time Correction, Efficiency
R/h, R	Dead Time Correction, Calibration Constant
Sv/h, Sv, rem/h, rem	Dead Time Correction, Calibration Constant, R to Sv Conversion

These apply to all modes.

### 8.2.1 R to Sv Conversion

The R to Sv conversion is a setting available in Lumatic Calibration software. It defines the conversion factor between R and Sv. Since the calibration constant is directly tied to R (counts per R), calibrating Sv requires a correct setting of both calibration constant and R to Sv conversion.

The rem unit is also affected by the R to Sv conversion. A rem is defined in firmware as being 100x the value of Sv.

Example: An R to Sv conversion factor of 0.0106 will cause a reading of 10.6 mSv/h (1.06 rem/h) while in a 1 R/h field.

## 8.3 Calibration Expiration Lockout

Calibration expiration lockout timer is a feature that can be configured in the Lumatic Calibration software. It allows setting a date and time that will cause the device to lock out due to expired calibration.

To enable this feature, the calibration expiration lockout timer DIP switch must be turned on (see DIP Switches on page 54). The real time clock and the calibration expiration lockout must also be set correctly in Lumatic Calibration software.

A calibration expiration fault (see Calibration Expiration on page 32) that cannot be acknowledged away will persist on the display after the calibration expiration lockout time has elapsed. The device will not be usable until the lockout timer is reset (during calibration) or the DIP switch is disabled inside the device.

The real time clock is also required to be set correctly for this feature to function. This instrument utilizes a super capacitor to retain the clock settings for a short time during battery changes. If the batteries are allowed to go completely dead to the point where the device will not attempt to turn on and the display is completely blank, the real time clock will probably require being reset. The user will be notified of a reset clock by the date fault (see page 33) upon power-on after new batteries are installed.

## 8.4 Variable LED Brightness

This instrument uses a sensor that detects the ambient light level. The ambient light is then converted into three states - dark, medium, and bright. Each state affects the brightness of the device LEDs to provide daytime visibility as well as prevent blinding nighttime viewing. A bright state will cause maximum intensity of the status indicator LEDs if they are on. A dark state will set the indicator LEDs to the dimmest setting as well as activate the automatic backlight. While the preset values should be sufficient, in an unusual configuration, Lumeric Calibration allows setting the thresholds, with hysteresis, of the ambient light states.

### 8.4.1 Backlight

The intensity of the backlight is configurable on this instrument through Lumeric Calibration software. This setting is preset to optimize battery life and viewability. However, if a change is made, the thresholds for the ambient light levels may need to be modified due to self-illumination from the backlight.

### 8.4.2 Ambient Light Value

In Lumeric Calibration software, the ambient light parameter shows the current value of the ambient light sensor. This is a raw reading from the ambient light sensor used to assist in redefining the ambient light state thresholds.

## 8.5 Audio

This instrument utilizes software controlled audio. There are three types of tones that can be generated - a low tone used for clicks and alert audio, a high tone used for alarms, and a tone for buttons. Each of the settings is configurable in the Lumeric Calibration software.

The volume can also be controlled for click volume, alert/alarm volume, and for button volume. The click and alert/alarm volumes are a combined setting in the device setup menu. If using Lumeric Calibration software, all three volumes are configurable independently. There are four levels of volume: 0, 1, 2, and 3 with 0 being off.



The audio chime during the power-on sequence uses the three tones in the order of button tone, low tone, and high tone. The volume of all three tones is the alert/alarm audio volume; therefore, if no chime is heard on power-on, alert/alarm volume may be set to 0.

## 8.6 Low-Battery Alarm Interval

This feature is intended for use when the device is normally externally powered but needs to be ready to run on internal power. Externally powered applications tend to rely on alerts and alarms to get the user's attention. A low-battery state can go unnoticed in a typically uneventful environment.

The low-battery alarm interval is only active when the device is externally powered. If enabled and the battery falls below the low-battery level, a low-battery chime will occur. The low-battery alarm interval setting defines the number of minutes separating each chime. A value of 0 will disable the low-battery alarm. This setting can only be configured through Lumic Calibration software.

## 8.7 Software Calibration Tools

Lumic Calibration software includes wizards that will assist in calibrating and plateauing detectors. After configuring the wizard for a specific detector, the wizard will automate much of the data collection and calculation required for calibration.

## 8.8 Hardware Correction

This instrument provides the user with the ability to manually enter a voltage for both high voltage and threshold. To ensure that the voltage entered by the user produces a proper high voltage or threshold voltage that is within instrument tolerances, the instrument is adjusted at the factory during manufacturing. As a result, adjustment of any parameters visible in the DevCal menu of the Lumic 2 software is not required and should not be adjusted in the field. However, if hardware correction is required (due to board rework, etc.) the hardware correction settings are available in Lumic 2 Calibration software on the DevCal tab.

## 8.9 DIP Switch Viewing

The current setting of the DIP switches can be viewed from Lumic Calibration software. This allows the user to check the current DIP switch setting without opening the instrument.

## 8.10 Other Device Data

The following parameters on the instrument allow recording important device information within the device:

**Firmware Version:** This is a read-only representation of the firmware version. With a version of F:x.y.zzz, the F:x.y will show up on the device screen during the power-on sequence and signifies the released version.

**Device - Model Name:** This should match the model name on the front face of the instrument.

**Device - Serial Number:** This should match the serial number of the instrument.

**Detector - Model:** This can store the model of the detector the instrument was calibrated for.

**Detector - Serial Number:** This can store the serial number of the detector the instrument was calibrated for.



## 8.11 Real-time Streaming

Lumic Calibration software and this instrument have the ability to stream data from the instrument to a computer. The data can be viewed live inside software or can be recorded to a file.

Multiple user-selected parameters can be streamed simultaneously, including:

- Remote display of the screen
- All unit values
- Device status
- Live HV current measurement

## 8.12 Neutron Detector Check

Due to the low number of counts detected by a neutron detector in a typical background field, it may be difficult to determine if the detector is functional without a neutron source. This instrument has a special feature which can be enabled via the setup menu or Lumic Calibration software, which allows the instrument to check a neutron detector on power-up.

When the detector check is enabled, on power-up, the instrument will increase the high voltage (user adjustable) applied to the detector. Once the higher voltage is established, gamma will interact with the tube causing the neutron detector to detect a small number of counts at background. These counts are monitored over a defined count time (user adjustable).

If the instrument counts meet or exceed the number of pass counts (user defined) during the defined count time, the detector is determined to be functional and "PAS" will appear on the screen. Should the instrument detect a fewer number of counts than defined for the pass counts limit, the instrument will determine that the instrument has failed and "FAI" will appear on the screen.

Disconnecting the cable from the detector prior to power-up should cause the detector check to fail as no counts will be detected from the neutron detector. While the instrument will be configured when it leaves the factory, any user adjustments made to the detector check settings should be such that the instrument passes with the detector connected and fails with the detector disconnected.

During Detector Check operation, which occurs on power-up just prior to normal rate meter mode, the following occurs:

- There is a two-second delay between increasing the high voltage and beginning the detector check count. "—" will be displayed on the screen, and all counts during this transition will be ignored.
- The timer period will appear on the screen and begin counting down to 0. During this period, all counts (clicks) detected are counted.

- Upon completion of the timer period, the number of counts detected will appear on the screen.
- The instrument will determine and display pass ("PAS") or fail ("FAI") based on the predefined count setting.
- There is a two-second delay between restoring the high voltage and beginning normal detector operation. During this time a "—" will appear on the screen.

Passing or failing the detector check does not impact operation of the instrument. It is the responsibility of the user to determine if the instrument should remain in service.

## SPECIFICATIONS

### 9.1 Instrument

**HV Range:** 300-2000 Vdc

**Threshold:** 2-200 mVdc (calibrated range)

**Resolving Time:** approximately 5  $\mu$ sec as defined by IEC 60325

**Overload:** 5-100  $\mu$ A

**Loss of Count Timeout:** 0-9.99 k seconds (0 to disable)

**On Device Setup:** Check or configure primary operating parameters without the need of a computer

**Display Range:** all auto-rangeable maximum displays can be set to limit the display to calibrated range

Table 9.1: Instrument Display Range

Unit	Range	Rate Mode	Count Mode
R/h	0.00 $\mu$ - 999	x	x
Sv/h	0.00 $\mu$ - 999	x	x
rem/h	0.00 $\mu$ - 999	x	x
R	0.00 $\mu$ - 999		x
Sv	0.00 $\mu$ - 999		x
rem	0.00 $\mu$ - 999		x
cpm	0.00 - 999 k	x	x
cps	0.00 - 999 k	x	x
c (counts)	0.00 - 999 k		x
Bq	0.00 - 999 k	x	x
dpm	0.00 - 999 k	x	x
d (disintegration)	0.00 - 999 k		x

**LCD Display:** 3-digit with 13.4 mm (0.53 in.) digits

**Backlight:** low-power LED display illumination

**Ambient Light Sensor:** automatically turns on backlight and varies status LED intensity

**Response Time:** programmable to fixed (1-60 seconds), fixed fast (4 seconds), fixed slow (22 seconds), auto fast, or auto slow

Table 9.2: Auto Response Times (in seconds)

Test	Auto Fast	Auto Slow
<b>Background to &gt; 30 kcpm</b>	<3	<6
<b>&gt;30 kcpm → Background</b>	<3	<6
<b>Background to ≤ 30 kcpm</b>	4	7
<b>≤ 30 kcpm → Background</b>	5.5	12
<b>Background to ≤ 12 kcpm</b>	6	12
<b>≤ 12 kcpm → Background</b>	8.5	17
<b>Background to ≤ 6 kcpm</b>	7.5	18.5
<b>≤ 6 kcpm → Background</b>	9	21
<b>Background to ≤ 4020 cpm</b>	11	20
<b>≤ 4.02 kcpm → Background</b>	10	22
<b>Background to ≤ 3000 cpm</b>	10	22
<b>≤ 3 kcpm → Background</b>	11	22

Average time of 10-90% measurements.

**Real-time Streaming Rate:** 1/16th to 15 seconds (1/16th second resolution)

**Real-time Streaming Parameters:** 8

**Warm-up Time:** less than 2 minutes

**Power:** two alkaline or rechargeable "AAA" batteries (does not support in-device charging)

**Battery Life:** approximately 100 hours of operation, 24-hour low-battery warning

**Temperature Range:** -20 to 50 °C (-4 to 122 °F), may be certified for operation from -40 to 65 °C (-40 to 150 °F)

**Environmental Rating:** NEMA (National Electrical Manufacturers Association) rating of 3x or IP (Ingress Protection) rating of 52 with audio seal option

**Size:** 8.5 x 8 x 4.7 cm (3.45 x 3.1 x 1.9 in.) instrument only

**Weight:** 174 g (0.38 lb) instrument only, including batteries

**Construction:** high-impact plastic with water-resistant rubber seals and separate battery compartment

## SAFETY CONSIDERATIONS

### 10.1 Environmental Conditions for Normal Use

Indoor use (While splash resistant, user is cautioned to avoid getting water through instrument openings.)

No maximum altitude

Temperature range of -40 to 65 °C (-40 to 150 °F)

Maximum relative humidity of less than 95% (non-condensing)

Pollution Degree 3 (as defined by IEC 644): Occurs when conductive pollution or dry non-conductive pollution becomes conductive due to condensation. This is typical of industrial or construction sites.

Not certified for use in an explosive atmosphere

### 10.2 Warning Markings and Symbols



The operator or responsible body is cautioned that the protection provided by the equipment may be impaired if the equipment is used in a manner not specified by Ludlum Measurements, Inc.



Verify instrument voltage input rating before connecting to a power converter. If the wrong power converter is used, the instrument and/or power converter could be damaged.

The instrument is marked with the following symbols:



CAUTION, RISK OF ELECTRIC SHOCK (per ISO 3864, No. B.3.6): designates a terminal (connector) that allows connection to a voltage exceeding 1 kV. Contact with the subject connector while the instrument is on or shortly after turning off may result in electric shock. This symbol appears on the battery cover.



The “crossed-out wheeie bin” symbol notifies the consumer that the product is not to be mixed with unsorted municipal waste when discarding. Each material must be separated. The symbol is placed on the label located on the side panel. See section 10, “Recycling,” for further information.



The “CE” mark is used to identify this instrument as being acceptable for use within the European Union.



CAUTION (per ISO 3864, No. B.3.1): designates hazardous live voltage and risk of electric shock. During normal use, internal components are hazardous live voltage before accessing the internal components. This symbol appears on the battery cover. Be sure to take the precautions noted in the next section whenever necessary.

### 10.3 Cleaning and Maintenance Precautions

The instrument may be cleaned externally with a damp cloth, using only water as the wetting agent. Observe the following precautions when cleaning or performing maintenance on the instrument:

1. Turn the instrument OFF and remove the batteries.
2. Allow the instrument to sit for one minute before cleaning the exterior or accessing any internal components for maintenance.

## REVISION HISTORY



This section of the manual will be updated with each revision of the manual in order to document changes over time. Ludlum Measurements' policy is to provide free software upgrades to instruments for the life of the instrument.

**July 2016:** New manual.

**March 2017:** Added the Model 30-7 to Appendix Section 13, also added to parameters in Section 14. Updated 30-4 size and weight Specs in Section 13.

**February 2018:** Corrected detector diameter and REM ball weight for Model 30-7 Specifications, page 60.

**October 2018:** Changed instrument color from yellow to black, changed pictures throughout.

**January 2019:** Added information about the Model 30-7B to Appendix Section 13.

**March 2019:** The Model 30-6 design changed to telescoping style pole. The photo, description, and size of the 30-6 were updated in the Appendix, Chapter 13.

**July 2020:** Corrected the range for the Model 30-6 from 0-1000  $\mu\text{R}/\text{h}$  to 0-2000  $\mu\text{R}/\text{h}$  on page 59.

**June 2022:** Increased loss of count time to 9.99K seconds and modified Channel 1 and Channel 2 Setup Menu to reflect new feature limits. Added click audio divide feature to instrument and updated Detector Setup Menu to reflect new feature. Modified Unit Setup Menu to reflect new radiation icon combinations. Added response rate change on the fly feature and updated Normal Operation Buttons section to reflect the addition of the new feature. Added Fixed Fast and Fixed Slow response times and modified Setup Menu Detector Menu to reflect new feature. Added new feature to adjust COUNT mode times using the Mode button. Updated Normal Operation Buttons and COUNT Mode to reflect new feature.

**January 2024:** Corrected high voltage range to match actual high voltage range in Features, Configuration, and Specifications. Corrected reporting of "dEt" in Configuration Setup Menu. Added Neutron Detector Check to Advanced Features and Configuration (Setup Menu). To

avoid confusion, replaced Instrument Calibration with Hardware Correction in the Advanced Features section of the manual and provided a more detailed description. Updated Configuration, Typical Values, and All Parameters to address changes as a result of the new Detector Check feature. Updated Drawing 498 x 512C in Appendix E.



## RECYCLING

Ludlum Measurements, Inc. supports the recycling of the electronics products it produces for the purpose of protecting the environment and to comply with all regional, national, and international agencies that promote economically and environmentally sustainable recycling systems. To this end, Ludlum Measurements, Inc. strives to supply the consumer of its goods with information regarding reuse and recycling of the many different types of materials used in its products. With many different agencies – public and private – involved in this pursuit, it becomes evident that a myriad of methods can be used in the process of recycling. Therefore, Ludlum Measurements, Inc. does not suggest one particular method over another, but simply desires to inform its consumers of the range of recyclable materials present in its products, so that the user will have flexibility in following all local and federal laws.

The following types of recyclable materials are present in Ludlum Measurements, Inc. electronics products, and should be recycled separately. The list is not all-inclusive, nor does it suggest that all materials are present in each piece of equipment:

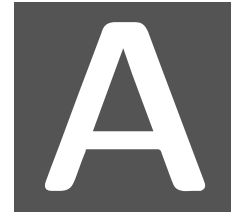
Batteries	Glass	Aluminum and Stainless Steel
Circuit Boards	Plastics	Liquid Crystal Display (LCD)

Ludlum Measurements, Inc. products that have been placed on the market after August 13, 2005, have been labeled with a symbol recognized internationally as the “crossed-out wheelie bin,” which notifies the consumer that the product is not to be mixed with unsorted municipal waste when discarding. Each material must be separated. On the instrument, the symbol will be placed on the serial number label located on the side of the instrument.

The symbol appears as such:







## MODEL 30 VARIATIONS

### A.1 Model 30-4

A Model 30-4 is a Model 30 Digital Display Unit paired with a neutron detector. The range is 0-100 mSv/h (0-10,000 mrem/hr). The display unit detaches for greater versatility.

#### A.1.1 Detector

The  $^3\text{He}$  proportional detector is 1.6 x 2.5 cm (0.6 x 1.0 in.) (Dia x L) and is surrounded by a 22.9 cm (9.0 in.) diameter cadmium-loaded polyethylene sphere. It typically has a sensitivity of 10 cpm per  $\mu\text{Sv/h}$  (100 cpm per mrem/h) with a linearity reading within 10% of actual value.

The energy response provides appropriate inverse RPG curve for neutrons from thermal through 7 MeV and provides a response up to 12 MeV.

#### A.1.2 Specifications

**Gamma Rejection:** < 10 cpm through 0.1 Sv/hr (10 R/hr) ( $^{137}\text{Cs}$  gamma)

**Operating Voltage:** approximately 1200 Vdc

**Threshold:** -2 mV

**Temperature Range:** -20 to 50 °C (-4 to 122 °F), may be certified for operation from -40 to 65 °C (-40 to 150 °F)

**Environmental Range:** NEMA (National Electrical Manufacturers Association) rating of 3x or IP (Ingress Protection) rating of 52, with audio hole seal option

**Size:** Display unit 8.5 x 8.0 x 4.8 cm (3.4 x 3.1 x 1.9 in.) (H x W x L); Detector 22.9 cm (9in.) REM ball with  $^3\text{He}$  detector (1.6 x 2.5 cm)



**Weight:** Display unit 174 g (0.38 lb); REM ball component 6.6 kg (14.5 lb)

## A.2 Model 30-6

The Model 30-6 is a version of the Model 30 where the electronics are mounted onto a telescoping pole, using a very sensitive scintillation detector with a range of 0-20  $\mu\text{Sv/h}$  (0-200  $\mu\text{R/h}$ ).



### A.2.1 Detector

The EJ212 plastic scintillation detector is 15.2 cm (6 in.) in diameter by 2.5 cm (1 in.) thickness. It typically has a sensitivity of 2500 cps/ $\mu\text{Sv/h}$  (1500 cpm/ $\mu\text{R/h}$ ) ( $^{137}\text{Cs}$  gamma) with a linearity reading within 10% of actual value. The energy response is energy dependent.

### A.2.2 Specifications

**Temperature Range:** -20 to 50 °C (-4 to 122 °F), may be certified for operation from -40 to 65 °C (-40 to 150 °F)

**Environmental Rating:** NEMA (National Electrical Manufacturers Association) rating of 3x or IP (Ingress Protection) rating of 52, with audio hole seal option

**Size:** 20.3 x 20.3 cm (8 x 8 in.) L x W; overall length is adjustable from 111 to 161 cm (43.6 to 63.4 in.) with 11 different length settings

**Weight:** 2.9 kg (6.5 lb)

## A.3 Model 30-7 and 30-7B

Like the Model 30-4, the Model 30-7 is a Model 30 display unit paired with a neutron detector. However, the moderating, high-density polyethylene (HDPE) sphere is smaller than the one for the 30-4. The Model 30-7 has a 17.8 cm (7 in.) diameter sphere, making it two inches smaller. The Model 30-7 also has a total weight of just over 3.8 kg (8.5 lb).

The Model 30-7B is a variation of the Model 30-7 with a different inner shell. It has better energy response, but less sensitivity.

The detachable display unit has an adjustable viewing angle and a range of 0-100 mSv/h (0-10,000 mrem/h).

### A.3.1 Detector

The  $^3\text{He}$  proportional detector typically has a sensitivity of 10 cpm per  $\mu\text{Sv/h}$  (100 cpm per mrem/hr) (bare AmBe neutrons) with a linearity reading within 10% of actual value. The energy response provides appropriate inverse RPG curve for neutrons from thermal through 7 MeV and provides response up to 12 MeV.

### A.3.2 Specifications

**Gamma Rejection:** < 10 cpm through 0.1 Sv/h (10 R/h) ( $^{137}\text{Cs}$  gamma)

**Operating Voltage:** approximately 1200 Vdc

**Threshold:** -2 mV

**Temperature Range:** -20 to 50 °C (-4 to 122 °F), may be certified for operation from -40 to 65 °C (-40 to 150 °F)

**Environmental Rating:** NEMA (National Electrical Manufacturers Association) rating of 3x or IP (Ingress Protection) rating of 52, with audio hole seal option

**Size:** Display unit 8.5 x 8.0 x 4.8 cm (3.4 x 3.1 x 1.9 in.) (H x W x L); Detector 19.5 cm (7.7 in.) REM ball with  $^3\text{He}$  detector (1.6 x 2.5 cm)

**Weight:** Display unit is 174 g (0.38 lb); REM ball component 4.6 kg (10.2 lb)







## TYPICAL VALUES

The following table describes the typical values for various Ludlum's detectors. These values can **NOT** be used as a replacement for real calibration. They may be used as a starting point for manual calibration.

Setting	Setup Parameter	Model 133-6	Model 44-2	Alpha or Beta	Model 42-31H (30-4/ 30-7)	Model 44-132 (30-6)
dEt1	High Voltage Setpoint	550	800	800	1200	800
dEt2	Detector Current Overload Threshold	0 (disabled)				
dEt3	Response Time/Auto Response Rate	F				
dEt4	Count Time	60				
dEt5	Enabled Modes	Rate/Max/Count				
Ch1:1	Calibration Constant Mantissa	122	100	001	600	940
Ch1:2	Calibration Constant Exponent	04	08	00	04	8
Ch1:3	Dead Time Correction 1	36	10	5	5	5
Ch1:4	Dead Time Correction 2 Mantissa	360	TBD	TBD	TBD	TBD
Ch1:5	Dead Time Correction 2 Exponent	-12	TBD	TBD	TBD	TBD
Ch1:6	Efficiency	100	15	Alpha: 20 Beta: 15	15	15
Ch1:7	Discriminator Threshold	35	35	35	2	10
Ch1:8	Loss of Count Alarm Time	999	60	Alpha:600 Beta:60	0 (dis- abled)	60
U-1:1	Unit 1 - Units and Minimum Display	00.0 mr/h	000 μR/h	000 cpm	00.0 mrem/h	00.0 μR/h
U-1:2	Unit 1 - Units and Maximum Display	999 R/h	50.0 mR/hr	999 kcpm	10.0 rem/h	2.50 Mr/h

Setting	Setup Parameter	Model 133-6	Model 44-2	Alpha or Beta	Model 42-31H (30-4/30-7)	Model 44-132 (30-6)
U-1:3	Unit 1 - Units RATE/MAX Mode Alert Point	20.0 mR/h	2.00 mR/h	2.00 kcpm	2.00 mrem/h	200 $\mu$ R/h
U-1:4	Unit 1 - Units RATE/MAX Mode Alarm Point	50.0 mR/h	5.00 mR/h	5.00 kcpm	5.00 mrem/h	500 $\mu$ R/h
U-1:5	Unit 1 - Count Units and Minimum Display	00.0 mR/h	0.00 mR	000 counts	00.0 rem	00.0 $\mu$ R/h
U-1:6	Unit 1 - Count Units Alert Point	000 R (dis-abled)	000 R (dis-abled)	0 counts (disabled)	2.00 rem	000 R (dis-abled)
U-1:7	Unit 1 - Count Units Alarm Point	000 R (dis-abled)	000 R (dis-abled)	0 counts (disabled)	5.00 rem	000 R (dis-abled)
U-1:8	Radiation Icon	$\gamma$	$\gamma$	Alpha: $\alpha$ Beta: $\beta$	n	$\gamma$
U-2:1	Unit 2 - Units and Minimum Display	000 cpm	000 cpm	oFF	000 cpm	000 cpm
U-2:2	Unit 2 - Units and Maximum Display	999 kcpm	999 kcpm		999 kcpm	999 kcpm
U-2:3	Unit 2 - Units RATE/MAX Mode Alert Point	2.00 kcpm	2.00 kcpm		2.00 kcpm	2.00 kcpm
U-2:4	Unit 2 - Units RATE/MAX Mode Alarm Point	5.00 kcpm	5.00 kcpm		5.00 kcpm	5.00 kcpm
U-2:5	Unit 2 - Count Units and Minimum Display	000 counts	000 counts	oFF	000 counts	000 counts
U-2:6	Unit 2 - Count Units Alert Point	0 counts (dis-abled)	0 counts (dis-abled)		0 counts (dis-abled)	0 counts (dis-abled)
U-2:7	Unit 2 - Count Units Alarm Point	0 counts (dis-abled)	0 counts (dis-abled)		0 counts (dis-abled)	0 counts (dis-abled)
U-2:8	Radiation Icon	$\gamma$	$\gamma$	oFF	n	$\gamma$
InS:1	Audio Mode	cLc				SIG
InS:2	Click and Alarm Volume	3				
InS:3	Green LED Behavior	oFF				
InS:4	Shutdown on External to Internal Power Switch	10 (disabled for Model 30)				
InS:5	Detector Check Enable	oFF				
InS:6	Detector Check High Voltage	1350				
InS:7	Detector Check Count Time	30				



---

<b>Setting</b>	<b>Setup Parameter</b>	<b>Model 133-6</b>	<b>Model 44-2</b>	<b>Alpha or Beta</b>	<b>Model 42-31H (30-4/ 30-7)</b>	<b>Model 44-132 (30-6)</b>
InS:8	Detector Check Pass Counts	3				
rtc:1	Real Time Clock Month					
rtc:2	Real Time Clock Day					
rtc:3	Real Time Clock Year					
rtc:4	Real Time Clock Hour					
rtc:5	Real Time Clock Minute					
rtc:6	Real Time Clock Second					





## ALL PARAMTERS

The following table is a list of all settings available on the device. Many of these can only be accessed through Lumic Calibration software.

Setup Menu	Name	Min. Value	Max. Value	Description
rtc:1	Month	1	12	Month for the real-time clock on the instrument.
rtc:2	Day	1	31	Day for the real-time clock on the instrument.
rtc:3	Year	2014	3000	Year for the real-time clock on the instrument.
rtc:4	Hour	0	23	Hour for the real-time clock on the instrument.
rtc:5	Mins	0	59	Minutes for the real-time clock on the instrument.
rtc:6	Seconds	0	59	Seconds for the real-time clock on the instrument.
dEt:1	High Voltage	300	1600	Defines the operating voltage of the detector.
Ch1:8	Loss of Count Timer	0	999	Defines the amount of time in seconds it takes before the instrument triggers a loss of count fault. A value of 0 disables this feature.
dEt:2	Overload	0	100	Defines the high-voltage current required to trigger an over-current fault. A value of 0 disables this feature.
dEt:3	Response Time	1 min. 60 max. slow and fast		Determines how quickly RATE mode changes values.
Ch1:7	Threshold	0	500	Defines the voltage in millivolts (mV) that the discriminator uses to count pulses.
Ch1:3	Dead Time Correction	0	0.000999	Defines the first order correction coefficient for the dead time correction algorithm.
Ch1:4 and Ch1:5	Dead Time Correction Second Order	0	0.000999	Defines the second order correction coefficient for the dead time correction algorithm.

Setup Menu	Name	Min. Value	Max. Value	Description
Ch1:1 and Ch1:2	Calibration Constant	100	9.99E+12	Defines the relationship between detector counts and field strength in R. Used by R, R/h, Sv, Sv/h, rem, and rem/h display units.
Ch1:6	Efficiency	0.1	999	Defines the efficiency of the detector. Used by the dpm, Bq, and disintegration units.
	Enabled Units	1	2	Determines how many display units are enabled.
	Display Unit 1 Icon	0	18	Determines the icon used while display unit 1 is active.
U-1:1	Display Unit 1 Rate Units	R/h, Sv/h, rem/h, cpm, cps, dpm, Bq		Defines the display units used for RATE and MAX modes.
	Display Unit 1 RATE Minimum Display Exponent	-8	3	Defines the minimum exponent allowed for a given display unit. Ex. -6 with a display unit of R/h would yield a minimum display of 000 $\mu$ R/h. Software simplified this setting.
U-1:2	Display Unit 1 RATE Maximum Value	1.00E-06	999000	Defines the maximum value allowed for a given display unit. Ex. 999 with display unit of R/h will yield a maximum display of 999 R/h. If the rate exceeds this value, a forced alarm will engage. This value must be at least two orders of magnitude greater than the minimum display value.
U-1:3	Display Unit 1 RATE Alert Threshold	0	999000	Defines the alert threshold for RATE and MAX rate modes. A value of 0 will disable this alert.
U-1:4	Display Unit 1 RATE Alarm Threshold	0	999000	Defines the alarm threshold for RATE and MAX rates modes. A value of 0 will disable this alarm.
U-1:5	Display Unit 1 Count Units	R/h, Sv/h, rem/h, cpm, cps, dpm, Bq, R, Sv, rem, counts, disintegrations		Defines the display units used for COUNT mode.

<b>Setup Menu</b>	<b>Name</b>	<b>Min. Value</b>	<b>Max. Value</b>	<b>Description</b>
U-1:5 (cont.)	Display Unit 1 COUNT Minimum Display Exponent	-8	-3	Defines the minimum exponent allowed for a given display unit. Ex. 0 with a display unit of cpm would yield a minimum display of 000 cpm. Software simplifies this setting.
U-1:6	Display Unit 1 COUNT Alert Threshold	0	999000	Defines the alert threshold for COUNT mode. A value of 0 will disable this alert.
U-1:7	Display Unit 1 COUNT Alarm Threshold	0	999000	Defines the alarm threshold for COUNT mode. A value of 0 will disable this alarm.
U-1:8	Display Unit 2 Icon	0	18	Determines the icon used while display unit 1 is active.
U-2:1	Display Unit 2 Rate Units	R/h, Sv/h, rem/h, cpm, cps, dpm, Bq		Defines the display units used for RATE and MAX modes.
	Display Unit 2 RATE Minimum Display Exponent	-8	3	Defines the minimum exponent allowed for a given display unit. Ex. An exponent of -6 with a display unit of R/h would yield a minimum display of 000 $\mu$ R/h. Software simplifies this setting.
U-2:2	Display Unit 2 RATE Maximum Value	1.00E-06	999000	Defines the maximum value allowed for a given display unit. Ex. 999 with a display unit of R/h will yield a maximum display of 999 R/h. If the rate exceeds this value, a forced alarm will engage. This value must be at least two orders of magnitude greater than the minimum display value.
U-2:3	Display Unit 2 RATE Alert Threshold	0	999000	Defines the alert threshold for RATE and MAX rate modes. A value of 0 will disable this alert.
U-2:4	Display Unit 2 RATE Alarm Threshold	0	999000	Defines the alarm threshold for RATE and MAX rate modes. A value of 0 will disable this alarm.

Setup Menu	Name	Min. Value	Max. Value	Description
U-2:5	Display Unit 2 Count Units	R/h, rem/h, cps, R, counts, disintegrations	Sv/h, cpm, dpm, Bq, Sv, rem,	Defines the display units used for COUNT mode.
	Display Unit 2 COUNT Minimum Display Exponent	-8	3	Defines the minimum exponent allowed for a given display unit. Ex. An exponent of 0 with a display unit of cpm would yield a minimum display of 000 cpm. Software simplifies this setting.
U-2:6	Display Unit 2 COUNT Alert Threshold	0	999000	Defines the alert threshold for COUNT mode. A value of 0 will disable this alert.
U-2:7	Display Unit 2 COUNT Alarm Threshold	0	999000	Defines the alarm threshold for COUNT mode. A value of 0 will disable this alarm.
U-2:8	COUNT Time	0	999	Determines the amount of time COUNT mode will count for in seconds. A value of 0 will cause count mode to have unlimited count time.
	OK Button	0	1	Virtual press of the OK button.
	UNIT Button	0	1	Virtual press of the UNIT button.
	MODE Button	0	1	Virtual press of the MODE button.
	OK Button Long	0	1	Virtual long press of the OK button.
	UNIT Button Long	0	1	Virtual long press of the UNIT button.
	MODE Button Long	0	1	Virtual long press of the MODE button.
	Battery Voltage	(read only)		Operating voltage of the processor.
	(Vcc) Supply Voltage	(read only)		Operating voltage of the processor.

Setup Menu	Name	Min. Value	Max. Value	Description
	Temperature	(read only)		Temperature of the instrument.
	Ambient Light	(read only)		Ambient light reading of the instrument.
	Instrument Name	(16 characters)		Stores the model name of the instrument.
	Instrument Serial Number	(16 characters)		Stores the serial number of the instrument.
	Detector Model	(16 characters)		Stores the model name of the detector the instrument is calibrated for.
	Detector Serial Number	(16 characters)		Stores the serial number of the detector the instrument is calibrated for.
	Back Light	0	255	Defines the brightness of the backlight when it is on.
	Audio Tone Hi	2500	6000	Determines the frequency of Alarms.
	Audio Tone Low	2500	6000	Determines the frequency of clicks and alerts.
	Audio Tone Button	2500	6000	Determines the button press frequency.
InS:2	Audio Click Volume	0	3	Sets the volume of the click audio (or other activity audio). 0 is silent.
	Audio Alarm Volume	0	3	Sets the volume of Alerts and Alarms. 0 is silent.
	Audio Button Volume	0	3	Sets the volume of the button presses. 0 is silent.
Ins:1	Audio Mode	Click, Sigma, Floating Delta		Sets the activity audio mode.
	Audio Delta Sensitivity	1	10	Defines the sensitivity of the floating delta audio.
	Active Unit	0	1	Determines currently active display unit.
	Measured Voltage	(read only)		Self-measured high voltage value. Not calibrated, for diagnostics only.
	Measured Current	(read only)		Self-measured high voltage current. This value is referenced to the overload threshold.
	Firmware Version	0	16	Firmware number.

Setup Menu	Name	Min. Value	Max. Value	Description
	Active Detector	(read only)		Determines the active detector. There is only one detector possible for this instrument.
	Raw Count Time	0	604800	Instructs the device to take a raw count for a specific amount of time. Results will be available in the Raw Counts parameter when the count time reaches 0.
	Raw Counts	(read only)		Raw count result with no modification (no dead time, etc.). Results available when Raw Count Time reaches 0.
	Revision	(read only)		Displays the revision number of the circuit board.
	Instrument Discriminator Channels	(read only)		Displays the number of channels the instrument is capable of. This instrument is only capable of 1 channel.
	Dark to Medium	0	2500	Ambient light threshold to transition from dark state to medium state.
	Medium to Dark	0	2500	Ambient light threshold to transition from medium state to dark state.
	Medium to Bright	0	2500	Ambient light threshold to transition from medium state to bright state.
	Bright to Medium	0	2500	Ambient light threshold to transition from bright state to medium state.
dEt:5	Rate Mode Enabled	0	1	Determines if RATE mode is enabled.
	Max Rate Mode Enabled	0	1	Determines if MAX rate mode is enabled.
	Count Mode Enabled	0	1	Determines if COUNT mode is enabled.
	HV Calibration Rate	-1	1	Second order calibration coefficient for instrument high voltage calibration.
	HV Calibration Slope	0.1	2	First order calibration coefficient for instrument high voltage calibration.
	HV Calibration Offset	-75	75	Calibration offset for instrument high voltage calibration.
	Threshold Calibration Rate	-1	1	Second order calibration coefficient for instrument threshold calibration.



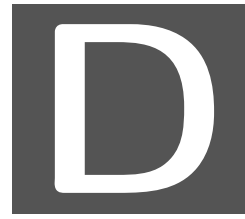
<b>Setup Menu</b>	<b>Name</b>	<b>Min. Value</b>	<b>Max. Value</b>	<b>Description</b>
	Threshold Calibration Slope	0.1	2	First order coefficient for instrument threshold calibration.
	Threshold Calibration Offset	-.005	.005	Calibration offset for instrument threshold calibration
InS:3	Automatic Shutdown Time	0	60	Delay in seconds the instrument will wait if transitioning from internal to external power.
	Low-Battery Alarm Interval	0 (disabled - stay on)	120 (disabled - stay on)	Delay in minutes between low-battery reminder chimes. Only function when powered externally. If disabled, it stays on.
InS:4	Green LED Mode			Mode of the green LED. See green LED section for details.
	Calibration Expire Month	1	12	Month for the calibration expiration date of the instrument.
	Calibration Expire Day	1	31	Day for the calibration expiration date of the instrument.
	Calibration Expire Year	2015	3000	Year for the calibration expiration date of the instrument.
	Calibration Expire Hour	0	23	Hour for the calibration expiration date of the instrument.
	Calibration Expire Minute	0	59	Minute for the calibration expiration date of the instrument.
	DIP SW1.1	(read only)		Current state of DIP switch 1.1
	DIP SW1.2	(read only)		Current state of DIP switch 1.2
	DIP SW2.1	(read only)		Current state of DIP switch 2.1
	DIP SW2.2	(read only)		Current state of DIP switch 2.2
	R to Sv Ratio	1.00E-05	0.1	Defines the coefficient used to convert from calibration R or R/h to Sv, Sv/h, Also determines rem and rem/h with additional x100.
	Menu Shortcut Enable	0	1	Enables shortcut into on-device setup menu.
	Status	0	0	Consolidates device status into one parameter. Intended for streaming only.
	Display	0	0	Data needed to mirror display on device. Intended for streaming only.

<b>Setup Menu</b>	<b>Name</b>	<b>Min. Value</b>	<b>Max. Value</b>	<b>Description</b>
	Display Unit 1 Measured Rate	0	0	Access to measured RATE that is updated every 1/16th second. Intended for streaming only. Floating-point number only, does not include unit. Does not have to be active on device display.
	Display Unit 1 Measured Max Rate	0	0	Access to measured MAX rate that is updated every 1/16th second. Intended for streaming only. Floating-point number only, does not include unit. Does not have to be active on device display.
	Display Unit 1 Rate Unit	0	0	Unit for streaming measured RATE and MAX rates.
	Display Unit 1 Measured Count	0	0	Access to measured COUNT rate that is updated every 1/16th second. Intended for streaming only. Floating-point number only, does not include unit. Does not have to be active on device display.
	Display Unit 1 Count Unit	0	0	Unit for streaming measured COUNT rates.
	Display Unit 2 Measured Rate	0	0	Access to measured RATE that is updated every 1/16th second. Intended for streaming only. Floating-point number only, does not include unit. Does not have to be active on device display.
	Display Unit 2 Measured Max Rate	0	0	Access to measured MAX rate that is updated every 1/16th second. Intended for streaming only. Floating-point number only, does not include unit. Does not have to be active on device display.
	Display Unit 2 Rate Unit	0	0	Unit for streaming measured RATE and MAX rates.
	Display Unit 2 Measured Count	0	0	Access to measured COUNT rate that is updated every 1/16th second. Intended for streaming only. Floating-point number only, does not include unit. Does not have to be active on device display.
	Display Unit 2 Count Unit	0	0	Unit for streaming measured COUNT rates.
InS:5	Detector Check Enable	Off	On	Enable detector check for neutron detectors.

---

<b>Setup Menu</b>	<b>Name</b>	<b>Min. Value</b>	<b>Max. Value</b>	<b>Description</b>
InS:6	Detector Check High Voltage	300	2000	Sets the high voltage for neutron detector check.
InS:7	Detector Check Count Time	1	60	Sets the count time for the neutron detector check.
InS:8	Detector Check Pass Counts	0	999	Sets the minimum number of counts during the count time for the neutron detector check to pass.





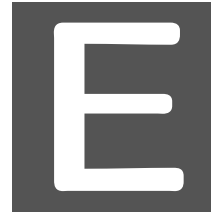
## ERRATA

### D.1 Firmware Known Issues

F1.9.4268

Issue	Date fault triggered every time batteries are removed.
Description	When battery power is removed long enough for clock to reset, device will show date fault ("dAt") even if calibration expiration DIP switch is turned off.
Workaround	Acknowledge fault. Device will continue normal operation.
Issue	Instrument always starts in rate mode.
Description	Instrument always starts in rate mode, even if rate mode is disabled.
Workaround	Change modes once after power-on. Instrument will then follow configured mode pattern.
Issue	Button and low tone frequencies cannot be changed.
Description	The frequency of the high tone, low tone, and button tone are configurable through software. A bug prevents writing changes to high tone and button tone.
Workaround	None. Will be fixed in a future release.





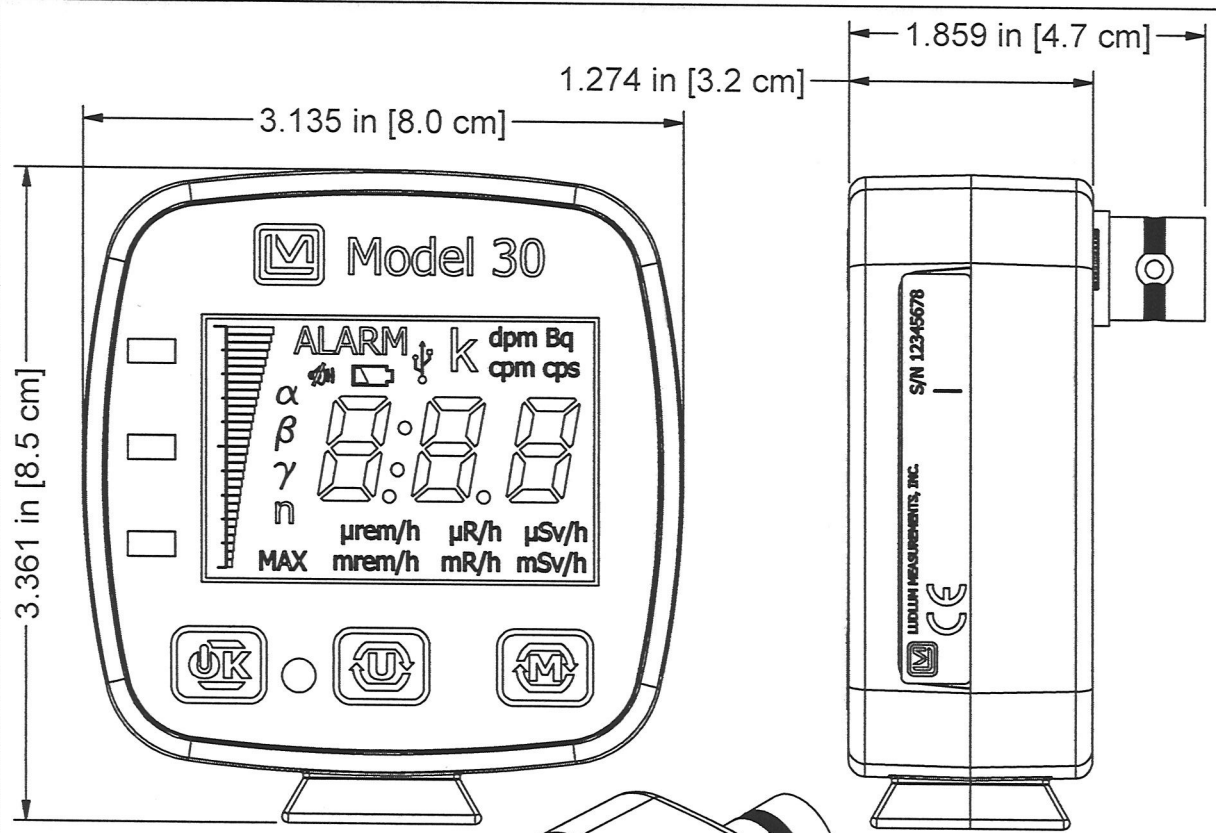
## ASSEMBLY DRAWINGS

If replacement parts are needed, call Ludlum Measurements, Inc. One of our salespeople will be happy to assist you. The following drawings are provided to assist in finding the correct part.

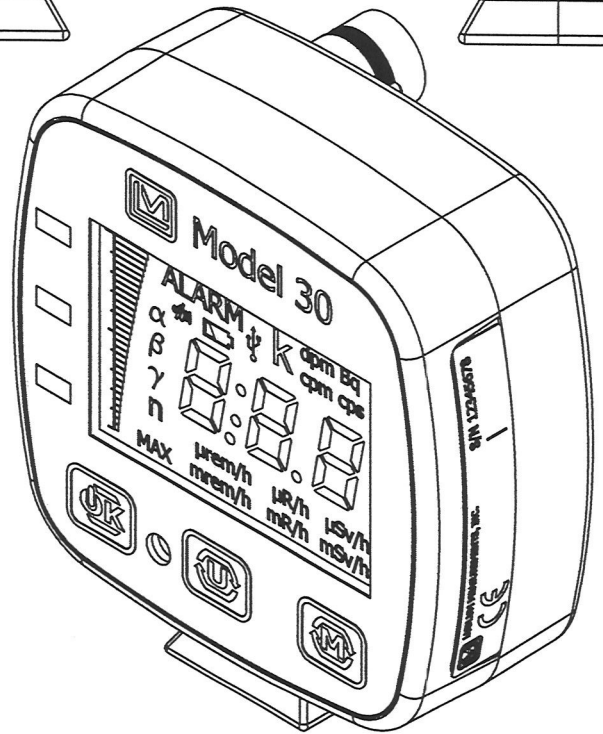
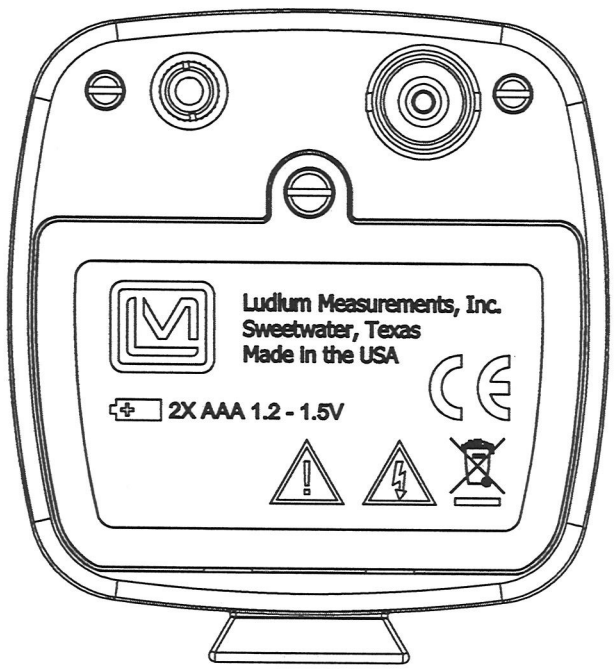
Drawing	Description	Page
498 x 512	Model 30 Dimensions	92
498 x 512C	Model 30 Parts Diagram	93







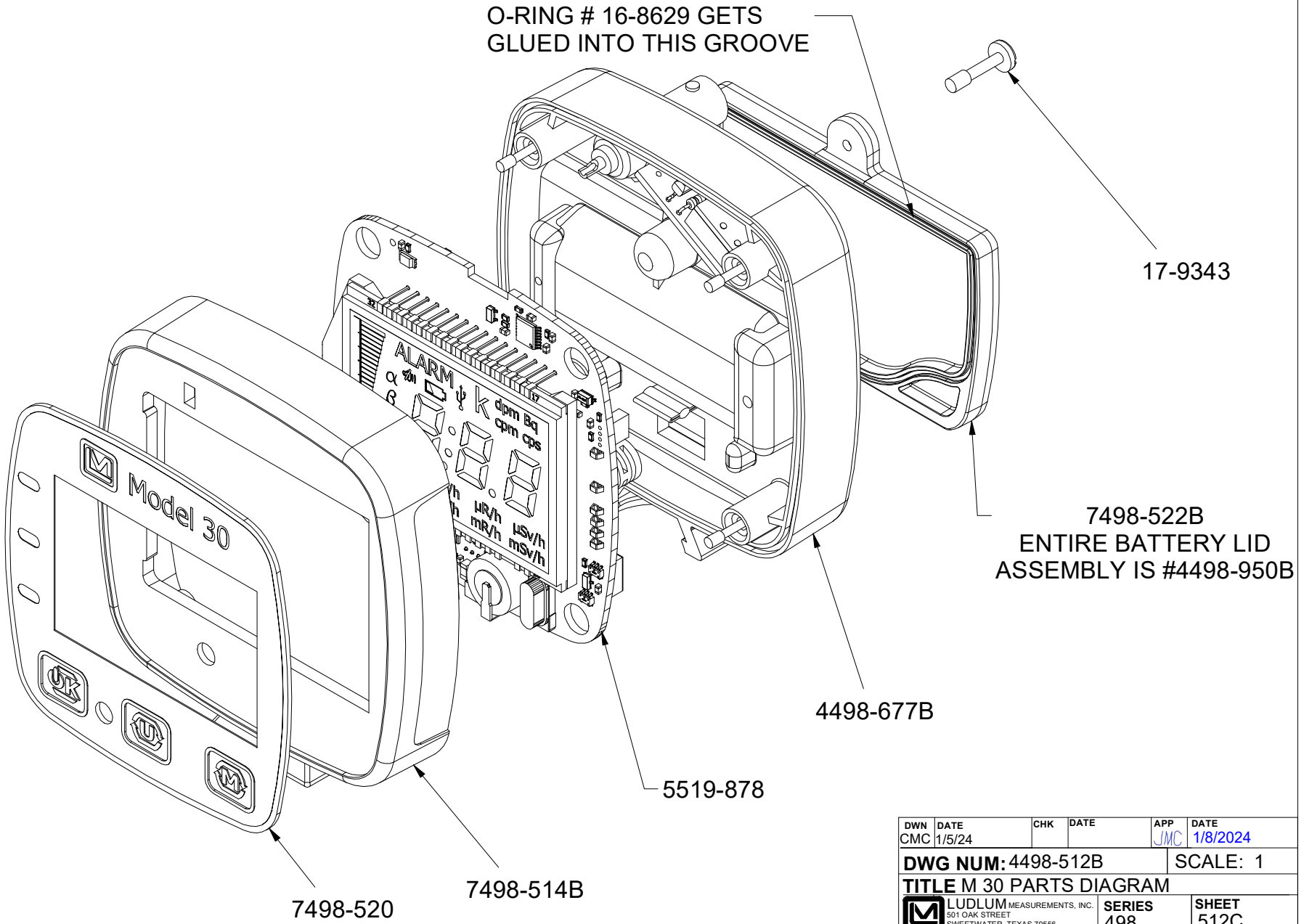
REVISION HISTORY			
REV	DESCRIPTION	DATE	BY
1	VALID	10-23-15	CMC




DWN	DATE	CHK	DATE	APP	DATE
CMC	10-23-15			WJM	2-27-16
<b>DWG NUM: 4498-512</b>				<b>SCALE: 1</b>	
<b>TITLE M 30 DIGITAL SURVEY METER</b>					
LUDLUM MEASUREMENTS, INC. 501 OAK STREET SWEETWATER, TEXAS 79556		SERIES 498	SHEET 512		



REVISION HISTORY			
REV	DESCRIPTION	DATE	BY
1	VALID	6/17/16	JAC
2	UPDATED PART NUMBERS	1/5/24	CMC



DWN	DATE	CHK	DATE	APP	DATE
CMC	1/5/24			JMC	1/8/2024
<b>DWG NUM: 4498-512B</b>				SCALE: 1	
<b>TITLE M 30 PARTS DIAGRAM</b>					
 LUDLUM MEASUREMENTS, INC. 501 OAK STREET SWEETWATER, TEXAS 79556			SERIES 498	SHEET 512C	