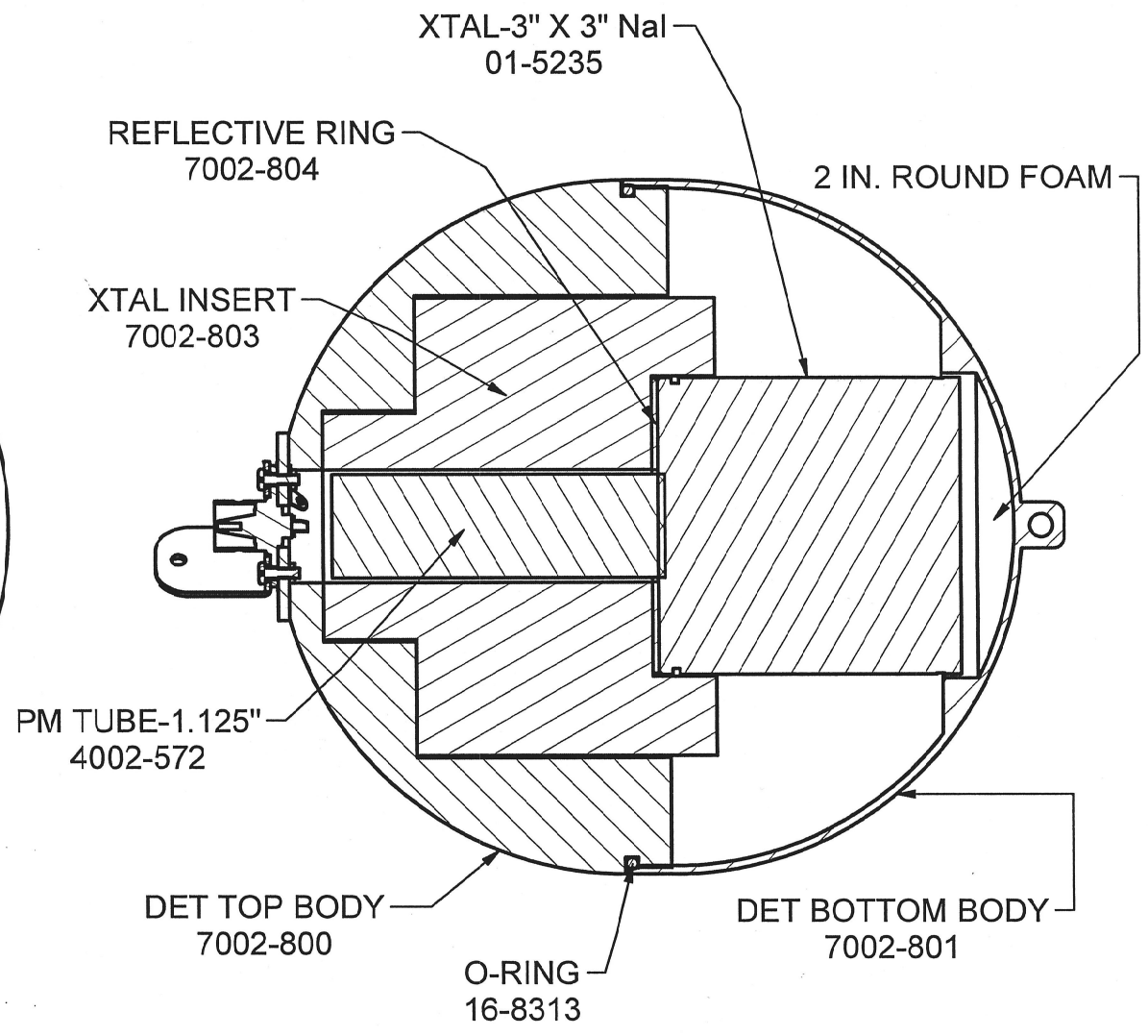
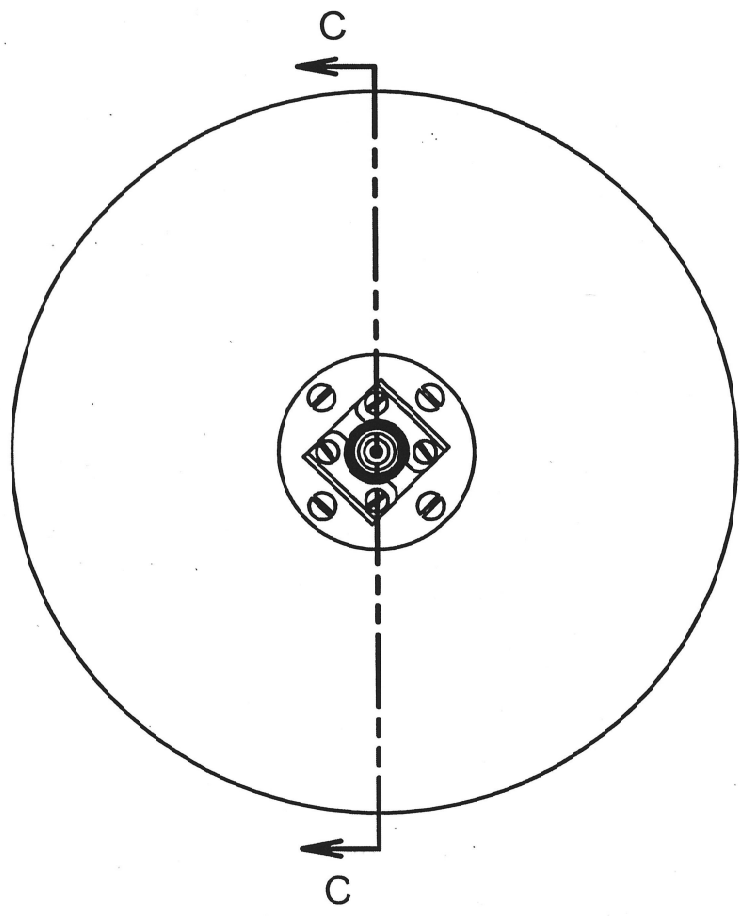



REVISION HISTORY			
REV	DESCRIPTION	DATE	BY
1	VALID	07/17/12	ADG



DWN	DATE	CHK	DATE	APP	DATE
ADG	07/17/2012			RW	7-19-2012
DWG NUM: 4002-802				SCALE: 1:2	
TITLE M 44-162					
 LUDLUM MEASUREMENTS, INC. 501 OAK STREET SWEETWATER, TEXAS 79556			SERIES	SHEET	
			2	802	