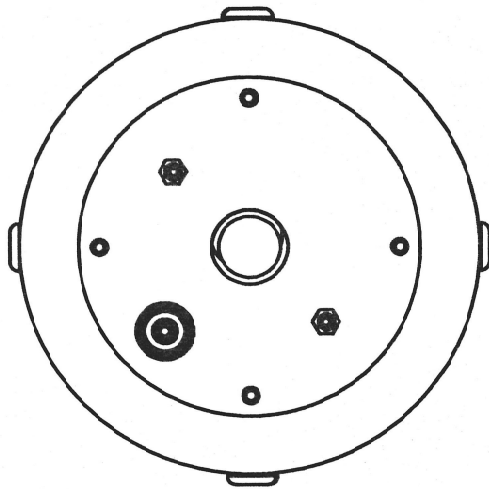


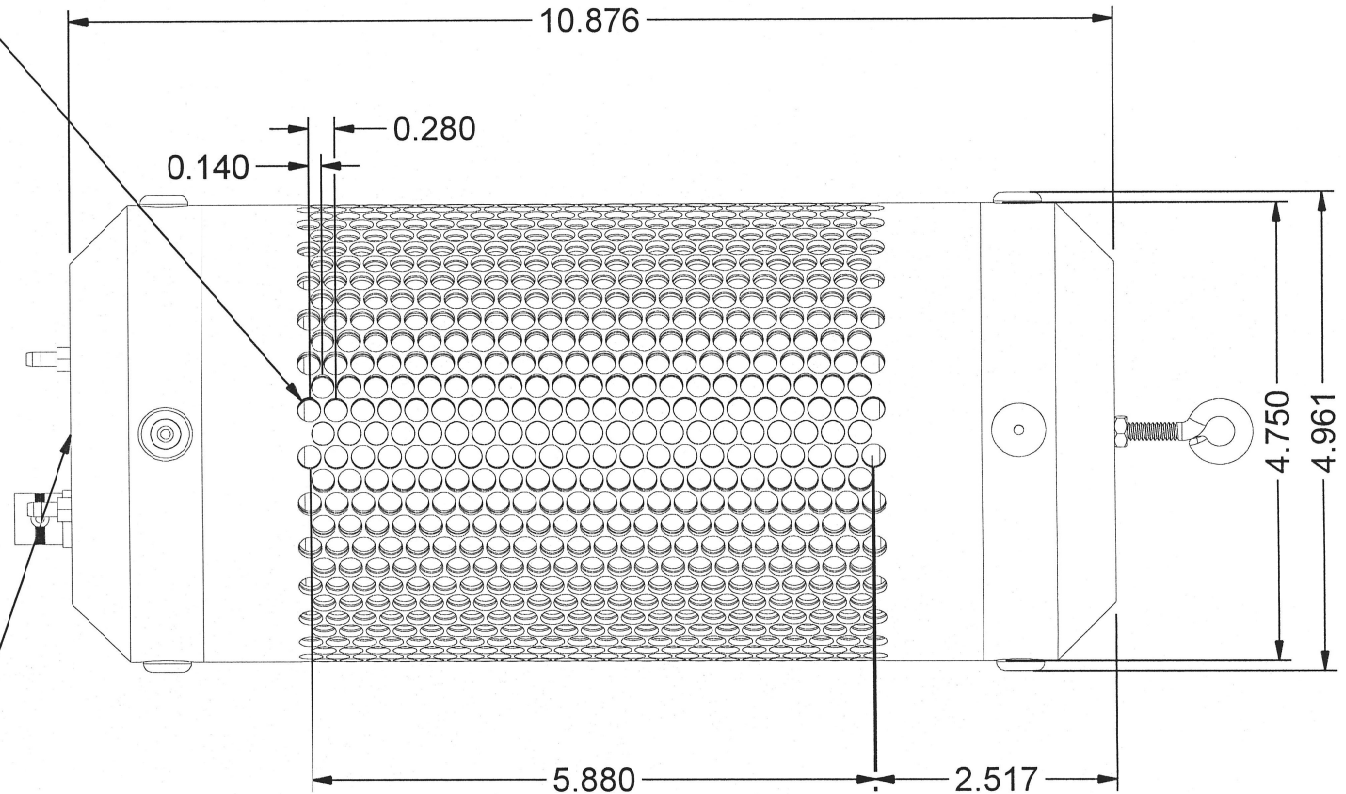
REVISION HISTORY

REV	DESCRIPTION	DATE	BY
1	VALID	3/26/12	MSC

Ø0.250
ROWS ON 6°



THREADED TO ACCEPT
TELESCOPIC HANDLE



DWN	DATE	CHK	DATE	APP	DATE
MSC	3/26/12			<i>MSC</i>	3-26-12
DWG NUM: 4419-097				SCALE: 1/2	
TITLE M 43-98-5					
LUDLUM MEASUREMENTS, INC. 501 OAK STREET SWEETWATER, TEXAS 79556		SERIES 419		SHEET 97A	

VF